

Features

- Low Insertion Loss
- High Attenuation
- Compact Size
- SMA Connector

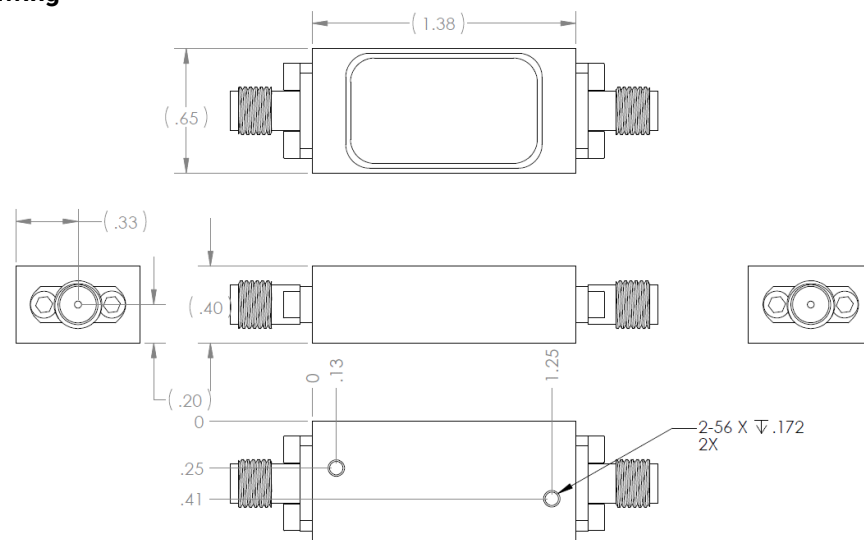
Descriptions

SMA Connector mount absorptive LC bandpass filter developed for UHF band applications.

Electrical Specifications

Parameter	Unit	Specification
Center Frequency (Fc)	MHz	460
Passband Frequency Range	MHz	450 ~ 470 min
Insertion Loss in Passband	dB	2.5 max
Ripple in Passband	dB	0.8 max
Input Return Loss@ 200~1000MHz	dB	15 min
Output Return Loss in Passband	dB	15 min
Attenuation	dB	15 min @ 401MHz
		50 min @ 936MHz
IN/OUT Impedance	Ohm	50
Input Power	Watt	2 CW max
Operating Temperature	°C	-40 ~ +85
Dimensions (Excluding Connectors)	inch	1.38 x 0.65 x 0.4 (L x W x H)
RoHS	-	Yes

Mechanical Drawing



Electrical Response

