



Specification

Cavity Bandpass Filter

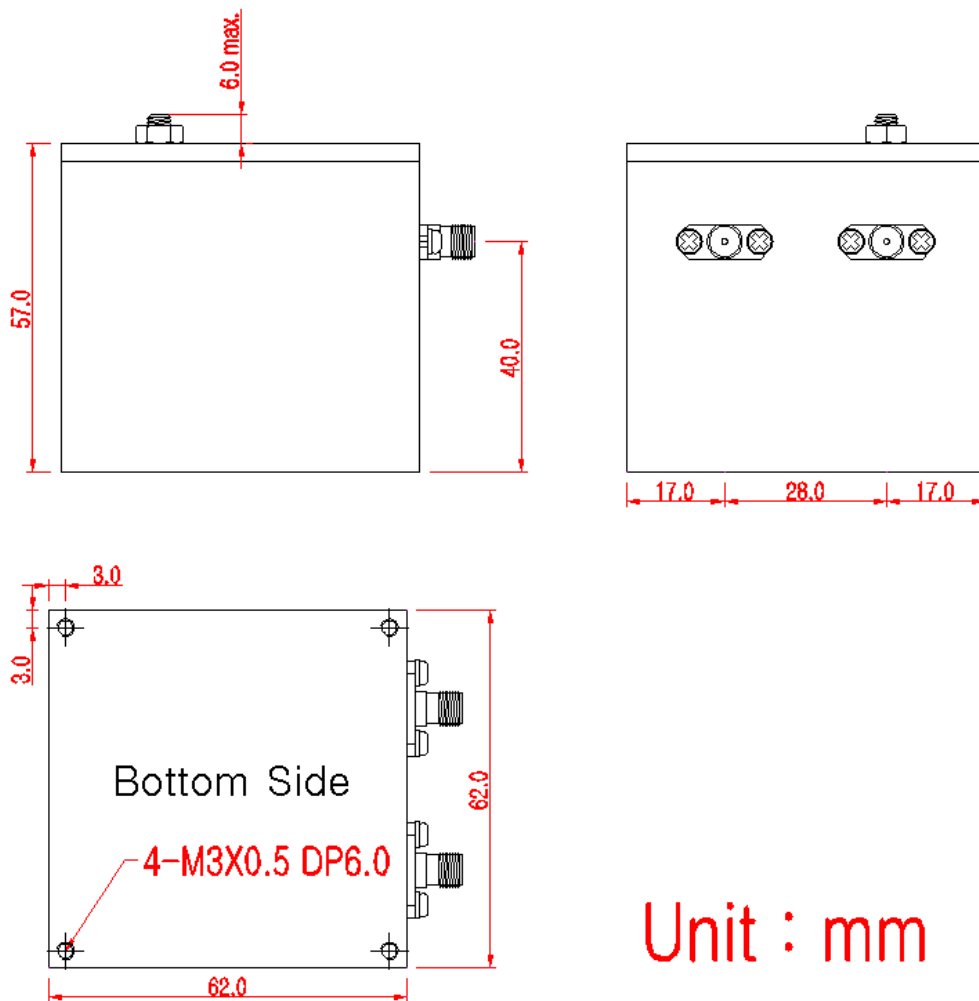
Sales	Engineering	Approval
TC	DWL	ECL

Customer:	Date: 07-29-11	Part No.: BCC1000-20C1
------------------	-----------------------	-------------------------------

Electrical Specifications

No.	Parameter	Unit	Specification
1	Center Frequency	MHz	1000
2	Bandwidth	MHz	$F_c \pm 20$ min. (990 ~ 1010 MHz)
3	Insertion Loss in BW	dB	0.7 max.
4	Ripple in BW	dB	0.3 max.
5	Return Loss in BW	dB	20.0 min.
6	Attenuation	dB	50 min. @ 945 MHz ($F_c - 55$ MHz)
			50 min. @ 1055 MHz ($F_c + 55$ MHz)
7	Input Power	Watt	10 max. (avg.) / 100 max. (peak)
8	IN/OUT Impedance	Ω	50
9	Operating Temperature	$^{\circ}\text{C}$	-30 ~ +75
10	Connector type	-	SMA (f) Type

Dimensions (Unit: mm)



Unit : mm

Simulation Graph

