

### Features

- Low Insertion Loss
- High Attenuation
- SMA Connector

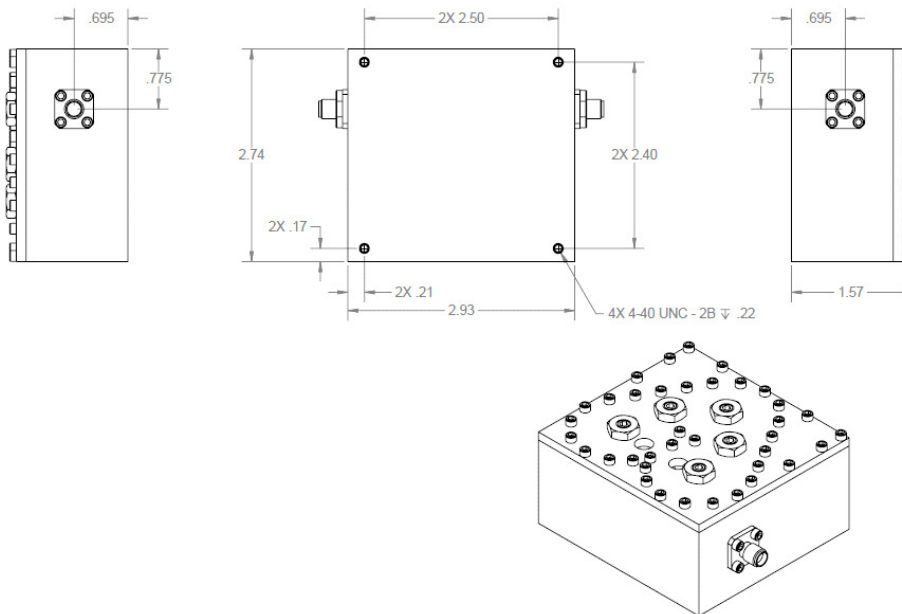
### Descriptions

SMA connector mount cavity bandpass filter developed for L band applications.

### Electrical Specifications

Parameter	Unit	Specification
Center Frequency	MHz	1295
Passband Frequency Range	MHz	1285~ 1305
Insertion Loss in Passband	dB	0.5 max
Ripple in Passband	dB	0.2 max
Return Loss (VSWR) in Passband	dB	20 min
Attenuation	dBc	60 min @ 1165MHz
		60 min @ 1185MHz
Input Power	Watt	10 CW max
In/Out Impedance	Ohm	50
Operating Temperature	°C	-55 ~ +85
Dimensions	inch	2.93 x 2.74 x 1.57 (L x W x H)

### Mechanical Drawing



## Electrical Response

