

### Features

- Low Insertion Loss
- High Attenuation
- High Power Handling
- Compact Size

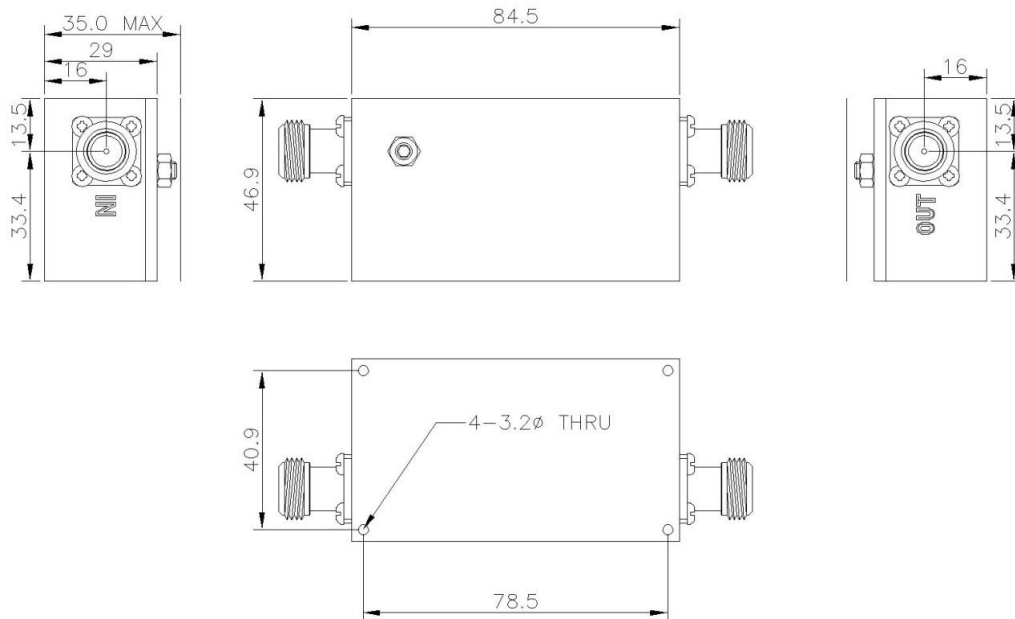
### Descriptions

N connector mount cavity bandpass filter.

### Electrical Specifications

Parameter	Unit	Specification
Center Frequency (Fc)	MHz	2035
Passband Frequency Range	MHz	2025 ~ 2045
Insertion Loss in Passband	dB	3.0 max
Ripple in Passband	dB	1.2 max
Return Loss in Passband	dB	20.0 min
Attenuation	dB	60 min @ 2010 MHz
		60 min @ 2060 MHz
In / Out Impedance	Ohms	50
Power Handling	W	1.0 max
Dimensions	mm	84.5 x 46.9 x 35.0 (L x W x H)
Finish	-	Black Epoxy Coating
RoHS	-	Compliant
Connectors	-	N-female

### Mechanical Dimensions



## Electrical Response

