

Features

- Low Insertion Loss
- High Attenuation
- Compact Size

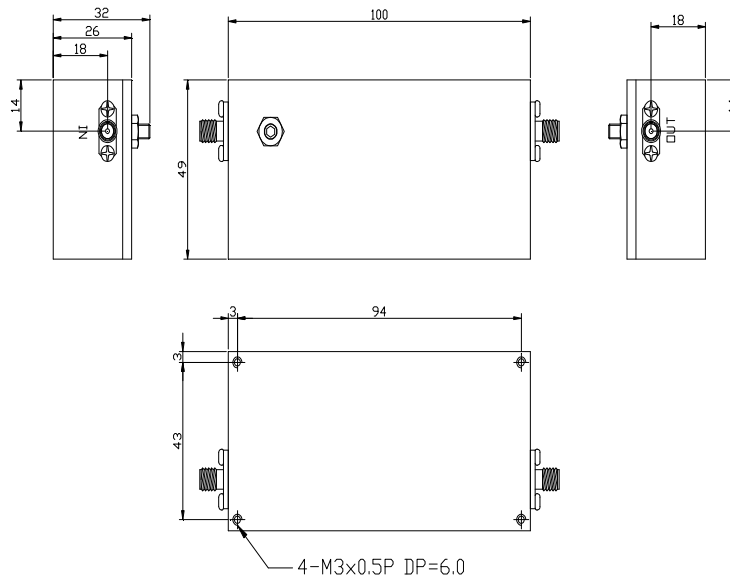
Descriptions

Connector mount cavity bandpass filter developed for S band applications.

Electrical Specifications

Parameter	Unit	Specification
Center Frequency (Fc)	MHz	2422
Passband Frequency Range	MHz	2411 ~ 2433
Insertion Loss in Passband	dB	3.0 max
Return Loss in Passband	dB	15.0 min
Attenuation	dB	60 min @ 2397MHz
		60 min @ 2447MHz
In / Out Impedance	Ohms	50
Power Handling	W	5W CW
Operating Temperature Range	°C	-20 ~ +70
Connector	-	SMA-female
Finish	-	Black color epoxy
Dimensions	mm	100 x 49 x 26(L x W x H)
ROHS	-	Compliant

Mechanical Dimensions



Electrical Response

