

Features

- Low Insertion Loss
- High Attenuation
- Compact Size

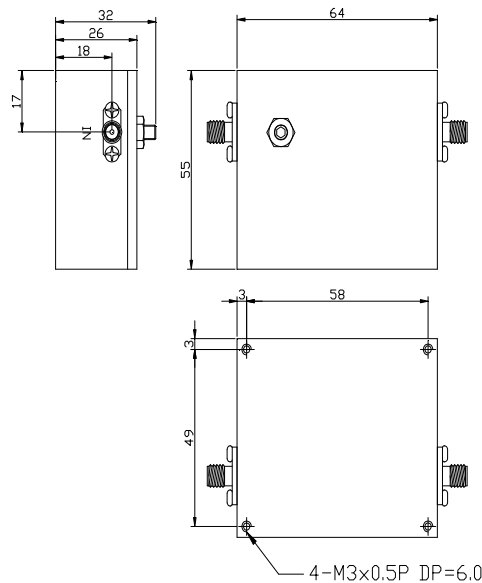
Descriptions

Connector mount cavity bandpass filter developed for S band applications.

Electrical Specifications

Parameter	Unit	Specification
Center Frequency (Fc)	MHz	2448
Passband Frequency Range	MHz	2398 ~ 2498
Insertion Loss in Passband	dB	0.3 max
Return Loss in Passband	dB	20.0 min
Attenuation	dB	70 min @ 2000MHz
		60 min @ 2700MHz
In / Out Impedance	Ohms	50
Power Handling	W	5W CW
Operating Temperature Range	°C	-20 ~ +70
Finish	-	Black color epoxy
Dimensions	mm	64 x 55 x 26(L x W x H)
ROHS	-	Compliant

Mechanical Dimensions



Electrical Response

