

## Features

- Low Insertion Loss
- High Attenuation
- Compact Size
- SMA Connector

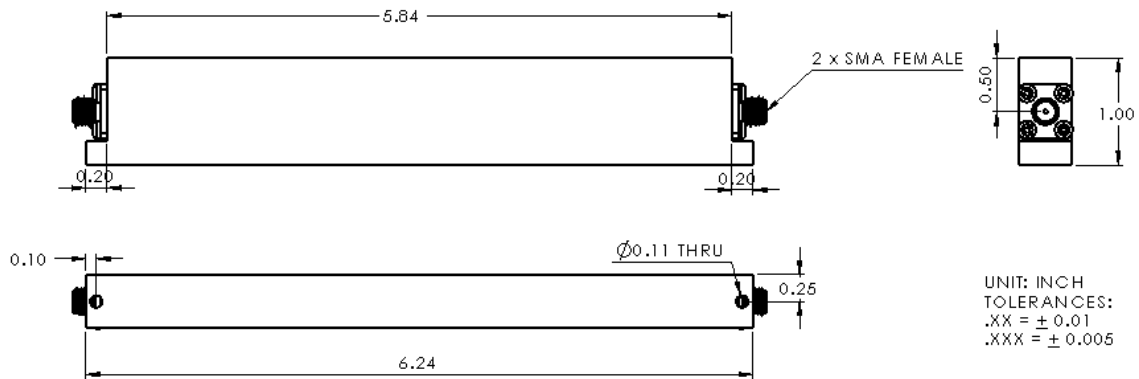
## Descriptions

SMA connectorized cavity bandpass filter developed for S band applications.

## Electrical Specifications

Parameter	Unit	Specification
Center Frequency (Fc)	MHz	2760
Passband Frequency Range	MHz	2553 ~ 2967
Insertion Loss in Passband	dB	2.5 max
Return Loss(VSWR) in Passband	dB	18 min
Attenuation	dB	70 min @ 2428MHz
		70 min @ 3030MHz
IN/OUT Impedance	Ohm	50
Operating Temperature	°C	-30 ~ +70
Dimensions (Excluding Connectors)	inch	6.24 x 0.5 x 1.0 (L x W x H)
RoHS	-	Yes

## Mechanical Drawing



## Electrical Response

