

Features

- Low Insertion Loss
- High Attenuation
- Compact Size

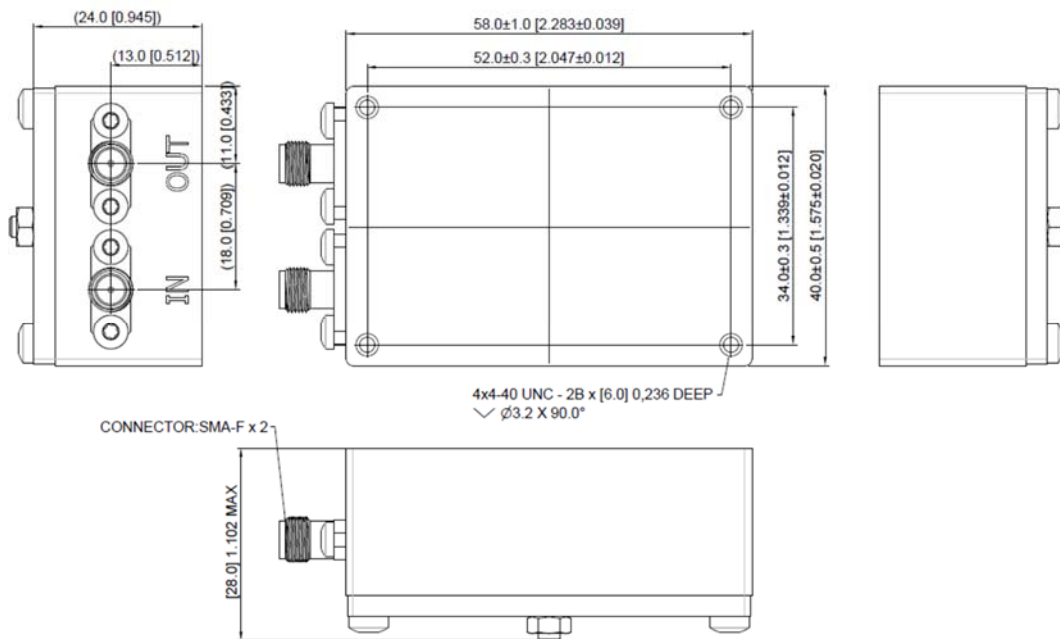
Descriptions

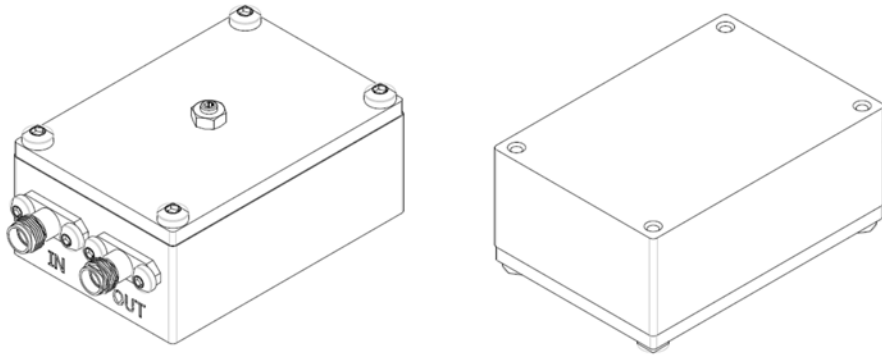
Connector mount cavity bandpass filter developed for CBRS band applications.

Electrical Specifications

Parameter	Unit	Specification
Center Frequency (Fc)	MHz	3500
Passband Frequency Range	MHz	3400 ~ 3600
Insertion Loss in Passband	dB	1.0 max
Ripple	dB	0.5 max
Return Loss in Passband	dB	20 min
Group Delay Variation	nS	6 max
Attenuation	dB	50 min @ 3000MHz ~ 3300MHz
		60 min @ 2000MHz ~ 3000MHz
		50 min @ 4500MHz ~ 6000MHz
In / Out Impedance	Ohms	50
Power Handling	W	50W CW
Operating Temperature Range	°C	-40 ~ +65
Connector	-	SMA-female
Finish	-	Silver
Dimensions	mm	58 x 40 x 28 (L x W x H)
ROHS	-	Compliant

Mechanical Dimensions





Electrical Response