



# Specification

## Cavity Filter

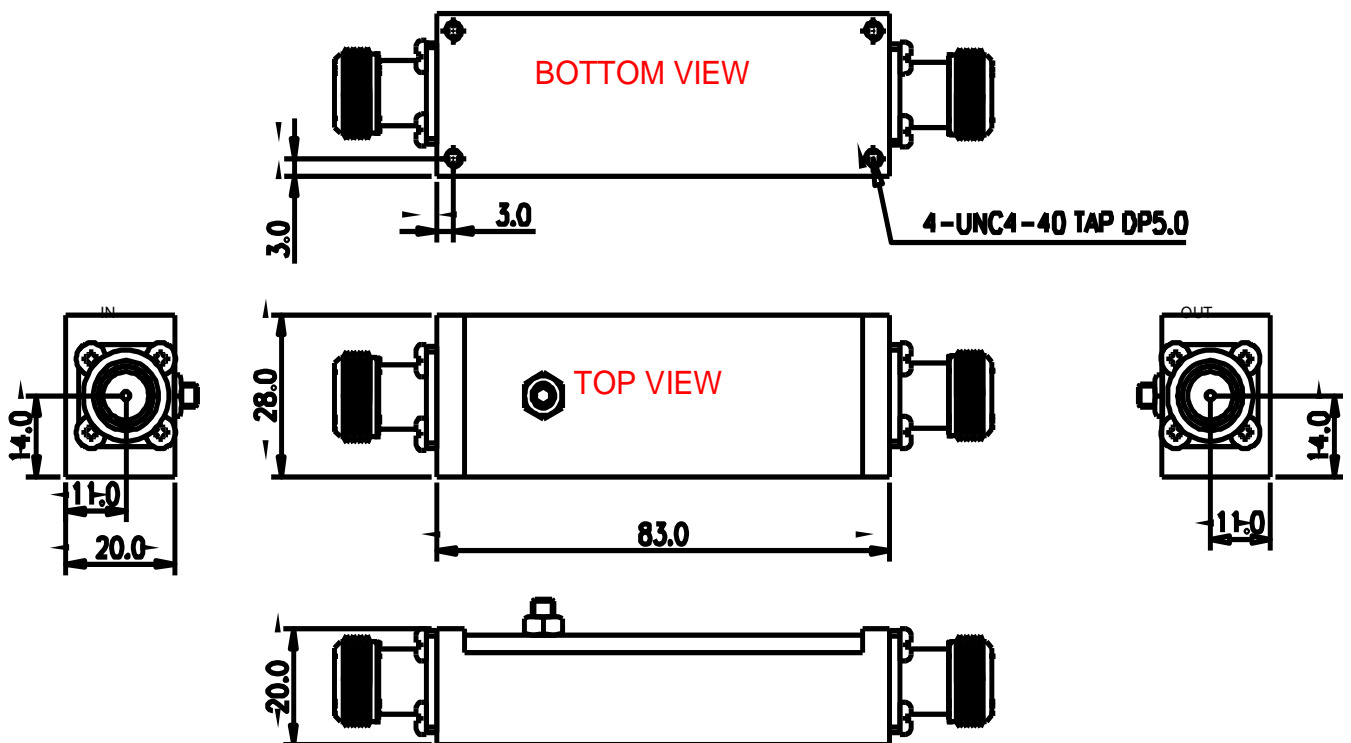
Design	R & D	Approval
CYK	YHKW	ECL

Customer:	Date: 03-03-11	Part No.: BCC5250-60B1
-----------	----------------	------------------------

### Electrical Specification

No.	Parameter	Unit	Specification
1	Center Frequency	MHz	5250
2	Frequency Range	MHz	5220 ~ 5280 MHz
3	Insertion Loss in BW	dB	0.5 max.
4	Return Loss in BW	dB	20.0 min.
5	Attenuation	dB	80.0 min @ 2630 MHz 40.0 min @ 4,130 & 6,130 MHz
6	Input Power	W	10 max.
7	Impedance	ohms	50
8	Connector	-	N (F) – All ports
9	Temp. Range	°C	-20 ~ +65
10	Finish	-	Black Epoxy Painting

### Dimension [Unit: mm]



Simulation Data

