

Features

- Low Insertion Loss
- High Attenuation
- Interdigital Design
- SMA Connector

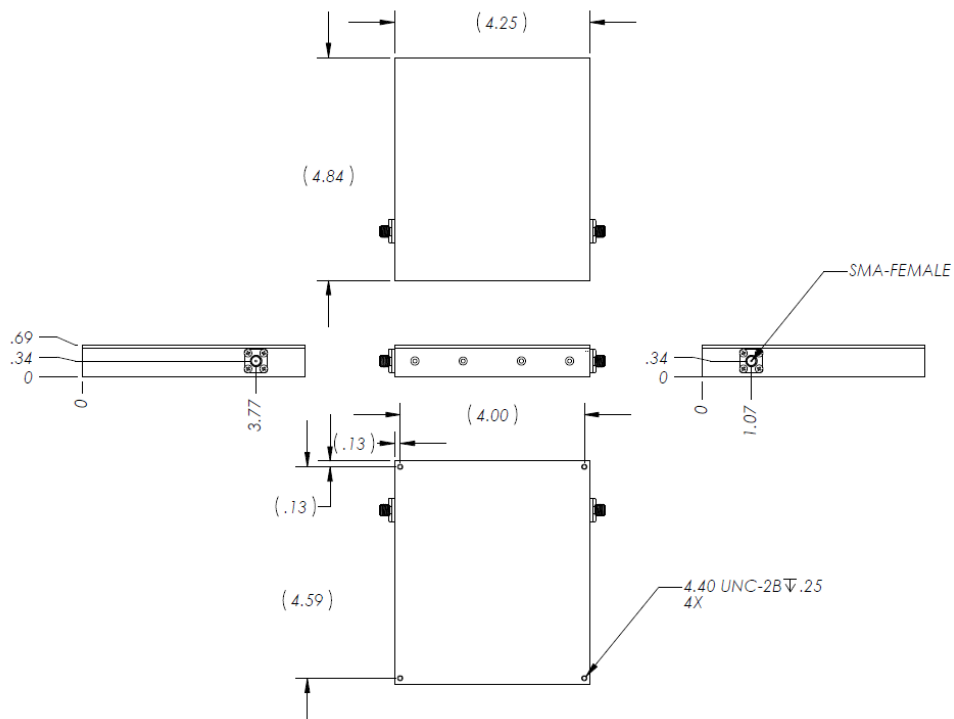
Descriptions

SMA connector mount cavity bandpass filter developed for UHF band applications.

Electrical Specifications

Parameter	Unit	Specification
Center Frequency	MHz	608
Passband Frequency Range	MHz	578 ~ 638
Insertion Loss in Passband	dB	1.0 max
Ripple in Passband	dB	0.5 max
Return Loss (VSWR) in Passband	dB	15 min
Attenuation	dB	50 min. @ $F_C \pm 70\text{MHz}$
In/Out Impedance	Ohm	50
Dimensions	inch	4.25 x 4.84 x 0.69 (L x W x H)

Mechanical Drawing



Electrical Response

