

Features

- Low Insertion Loss
- High Attenuation
- Compact Size

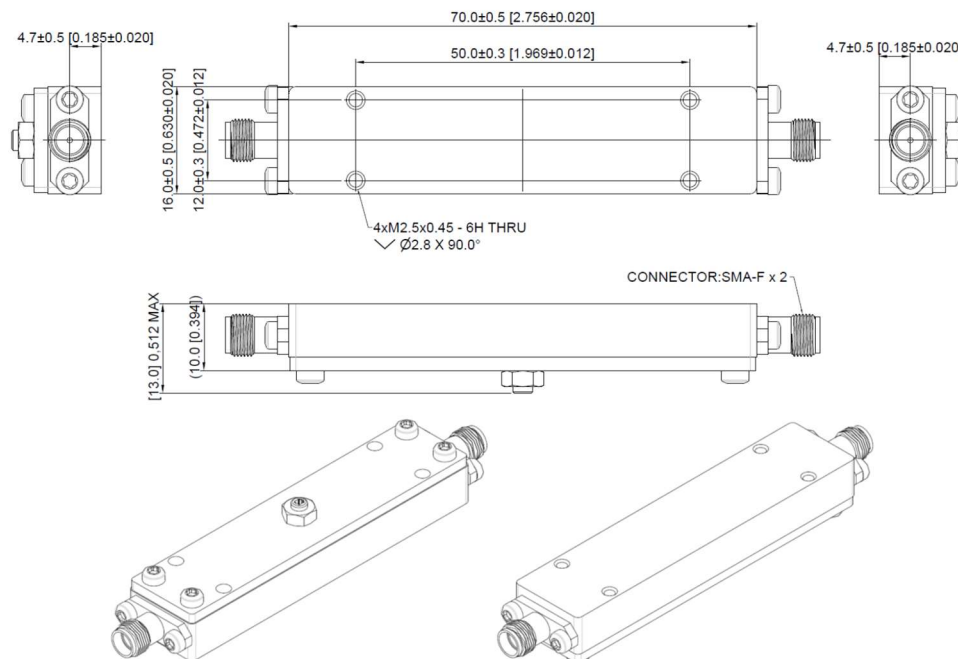
Descriptions

Connector mount cavity bandpass filter developed for C-band applications.

Electrical Specifications

Parameter	Unit	Specification
Center Frequency (Fc)	MHz	7150
Passband Frequency Range	MHz	6800 ~ 7500
Insertion Loss	dB	1.0 max
Return Loss in Passband	dB	17.7 min
Rejection	dB	45 min @ DC ~ 6100 MHz
		45 min @ 8200 ~ 18000 MHz
In / Out Impedance	Ohms	50
Power Handling	W	5 CW max
Operating Temperature Range	°C	-20 ~ +70
Non-Operating Temperature Range	°C	-55 ~ +125
Dimensions	mm	70 x 16 x 13 (L x W x H)
Finish	-	Silver Plating
Weight	Kgs	0.5 max
Connectors	-	SMA-f

Mechanical Dimensions



Electrical Responses

