

Features

- Low Insertion Loss
- High Attenuation
- Compact Size
- SMA Connectors

Descriptions

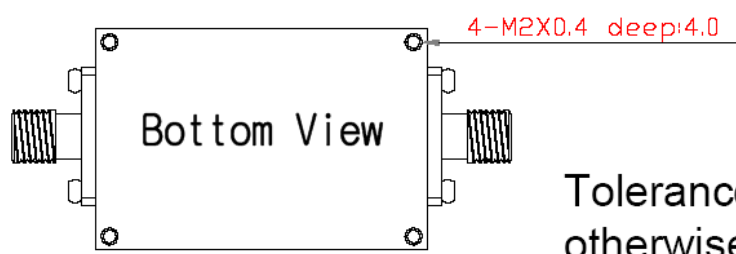
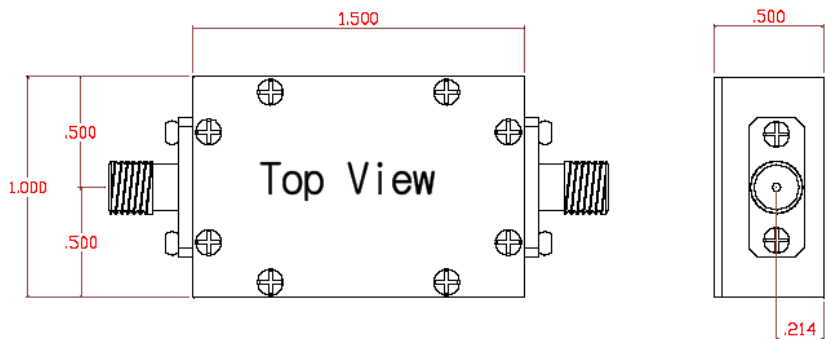
SMA connector mount lumped element filter.

Electrical Specifications

Parameter	Unit	Specification
Center Frequency (Fc)	MHz	160
Passband Frequency Range	MHz	150 ~ 170
Insertion Loss in Passband	dB	2.5 max
Ripple in Passband	dB	0.6 max
Return Loss in Passband	dB	15.0 min
Attenuation	dB	30 min @ 13- MHz
		30 min @ 190 MHz
		55 min @ DC ~ 110 MHz
		55 min @ 215 ~ 2000 MHz
Group Delay	ns	10 max
In / Out Impedance	Ohms	50
Operating Temperature Range	°C	-30 ~ +75
Dimensions	inches	1.5 x 1.0 x 0.5 (L x W x H)
Connectors	-	SMA female @ All Ports

Mechanical Dimensions

■ Dimension (Unit: inch)



Tolerance unless otherwise specified : ± 0.2