

Features

- Low Insertion Loss
- High Attenuation
- Compact Size
- SMA Connectors

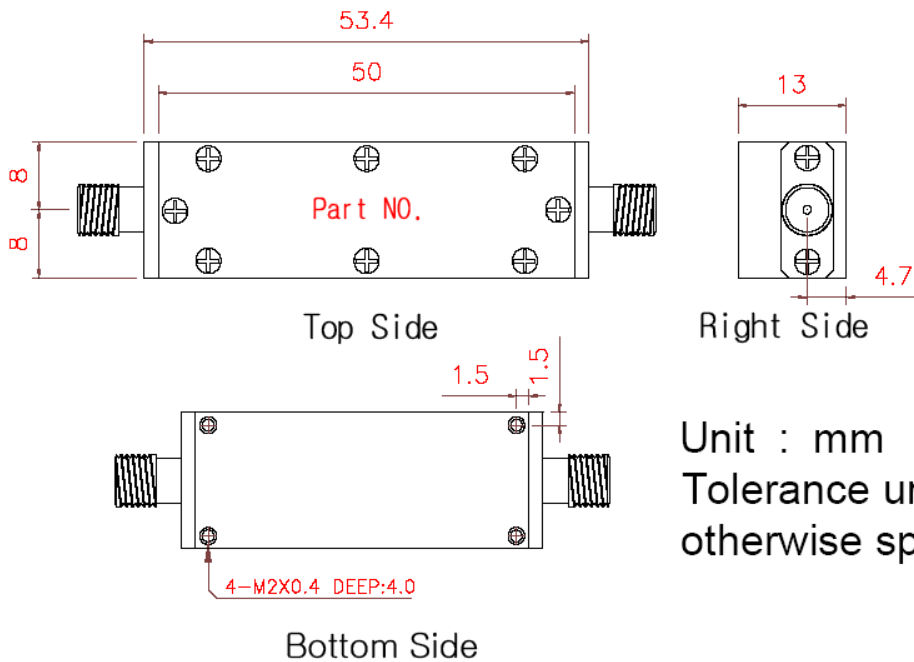
Descriptions

SMA connector mount lumped element filter.

Electrical Specifications

Parameter	Unit	Specification
Center Frequency (Fc)	MHz	256.5
Passband Frequency Range	MHz	243 ~ 270
Insertion Loss in Passband	dB	3.0 max
Ripple in Passband	dB	0.5 max
Return Loss in Passband	dB	15.0 min
Attenuation	dBc	40 min @ 210 MHz
		40 min @ 300 MHz
In / Out Impedance	Ohms	50
Operating Temperature Range	°C	-30 ~ +75
Dimensions	mm	53.4 x 16 x 13 (L x W x H)
Connectors	-	SMA female @ All Ports

Mechanical Dimensions



Unit : mm
Tolerance unless
otherwise specified : ± 0.2

Electrical Response

