

Features

- Low Insertion Loss
- High Attenuation
- Compact Size
- Hermetic Package
- SMA Connector Mount

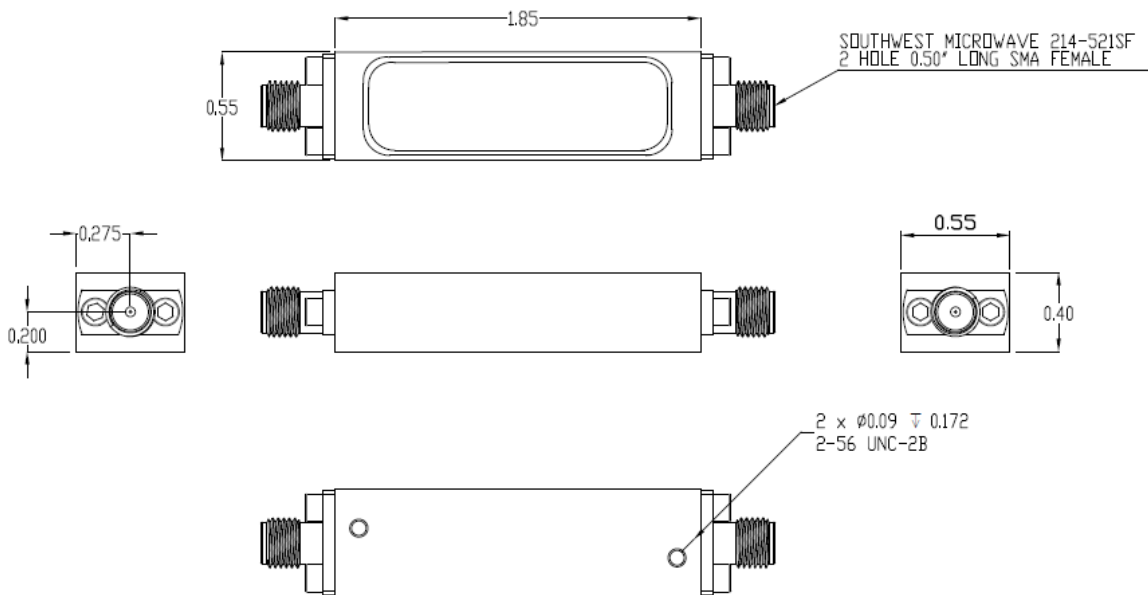
Descriptions

SMA connector mount lumped element bandpass filter developed for UHF band applications.

Electrical Specifications

Parameter	Unit	Specification
Center Frequency (Fc)	MHz	425.5
Passband	MHz	401 ~ 450
Passband Insertion Loss	dB	2.5 max
Passband Ripple	dB	1.5 (p-p) max
Passband Return Loss	dB	15.0 dB min
Rejection bands	dB	20 min @ 463MHz
Input Power	Watt	2CW max
In / Out Impedance	Ohms	50
Operating Temperature Range	°C	-40 to +85
Dimensions	inch	1.85 x 0.55 x 0.4(L x W x H)

Mechanical Drawing



Electrical Response

