

Features

- Compact Size
- High Attenuation
- SMA connector
- LC Bandpass Filter

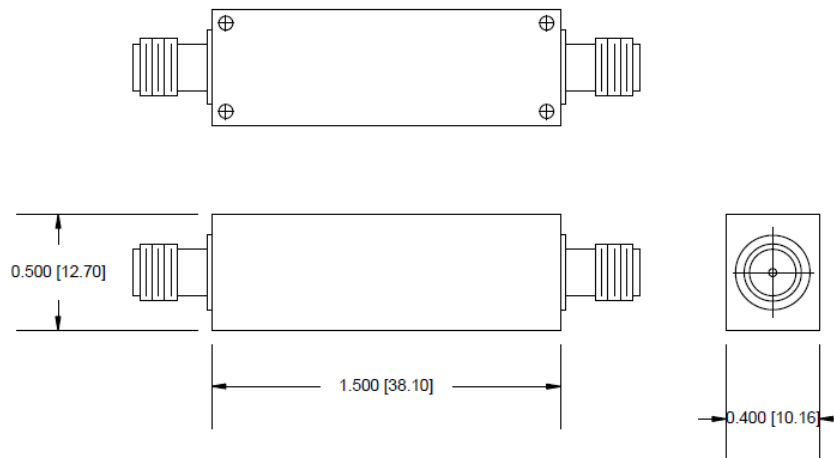
Descriptions

SMA connector LC Bandpass Filter developed for XXX applications.

Electrical Specifications

Parameter	Unit	Specification
Center Frequency Fc	MHz	50
Band Width	MHz	2 min (49 ~ 51)
Insertion Loss	dB	8 max @ Fc
Return Loss (VSWR)	dB	1.5:1
Attenuation	dB	-
Phase Linearity	Radian	-
IN/OUT Impedance	Ω	50
Operating Temp. Range	$^{\circ}\text{C}$	-55 ~ +85
Dimensions	inch	1.5 L x 0.5 W x 0.4H

Mechanical Drawing



Electrical Response

