

### Features

- Low Insertion Loss
- High Attenuation
- Compact Size
- SMA Connector Mount

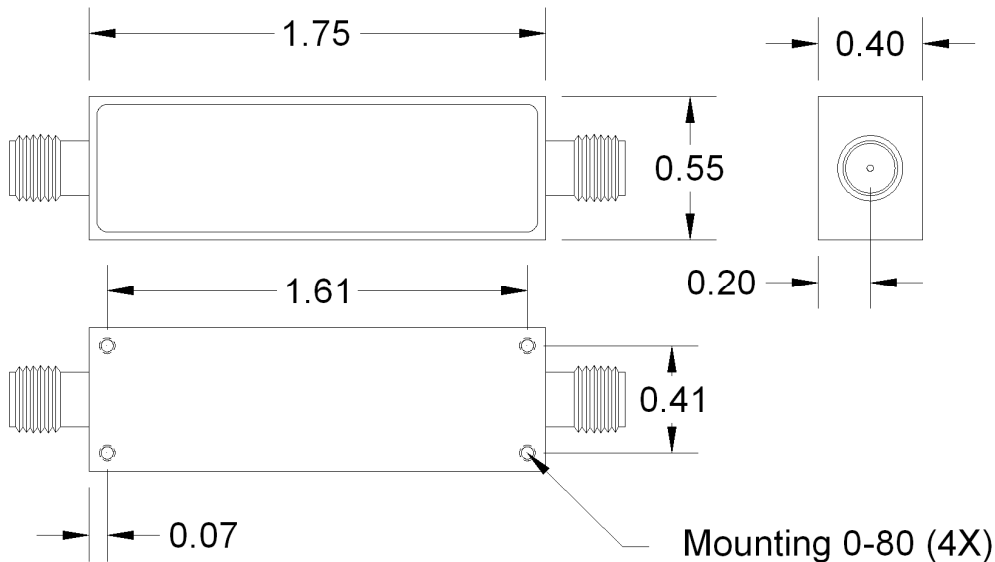
### Descriptions

SMA connector mount lumped element bandpass filter developed for VHF band applications.

### Electrical Specifications

Parameter	Unit	Specification
Center Frequency (Fc)	MHz	70
1dB Passband	MHz	(Fc ± 10MHz) ±100KHz
Passband Insertion Loss	dB	3.0 max
Passband Ripple	dB	1.0 (p-p) max
Passband Return Loss	dB	1.5:1 max / 14.0 dB min
Rejection bands	dBc	50 min @ (Fc ± 40MHz) ±100KHz
		60 min @ (Fc ± 50MHz) ±100KHz
Group Delay	nS	100 max with 1dB passband
In / Out Impedance	Ohms	50
Operating Temperature Range	°C	+10 to +50
In/Out Connector	-	SMA (F)
Dimensions	mm	44.5x14x10.5 (L x W x H)

### Mechanical Drawing



## Simulation Plots

