

### 1.0 Electrical Specifications

No.	Characteristics	Unit	Typical	Minimum	Maximum
1.1	Center Frequency	Mhz	798		
1.2	3.0 dB Bandwidth	From 781 MHz max to 815 MHz min.			
1.3	Insertion Loss at 798 MHz	dB			5.5
1.4	Return Loss At 798 MHz	dB		12	
1.5	Rejection	From 0 to 621 MHz	dB	60	
		At 710 MHz	dB	55	
		At 886.5 MHz	dB	55	
		From 975.5 to 1595 MHz	dB	60	
1.6	In/Out Impedance	Ohms	50		
1.7	Maximum input power (Average)	dBm			25

### 2.0 Environmental Specifications

2.1	Temperature range (operating)	-20 ° C to +70 ° C
2.2	Vibration (10-15 Hz)	2 g max.
2.3	Vibration (15-200 Hz)	1 g max.
2.4	Shock for 11 ms	30 g max.

THE INFORMATION CONTAINED IN THIS DRAWING IS THE SOLE PROPERTY OF MCV TECHNOLOGIES. ANY REPRODUCTION IN PART OR IN WHOLE WITHOUT THE WRITTEN PERMISSION OF MCV TECHNOLOGIES IS PROHIBITED.

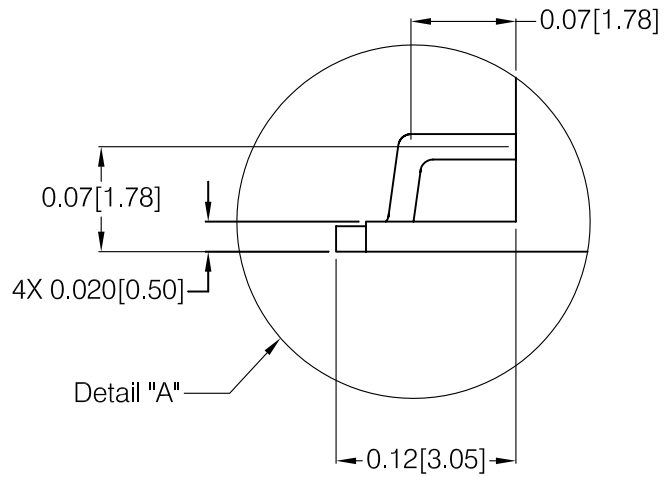
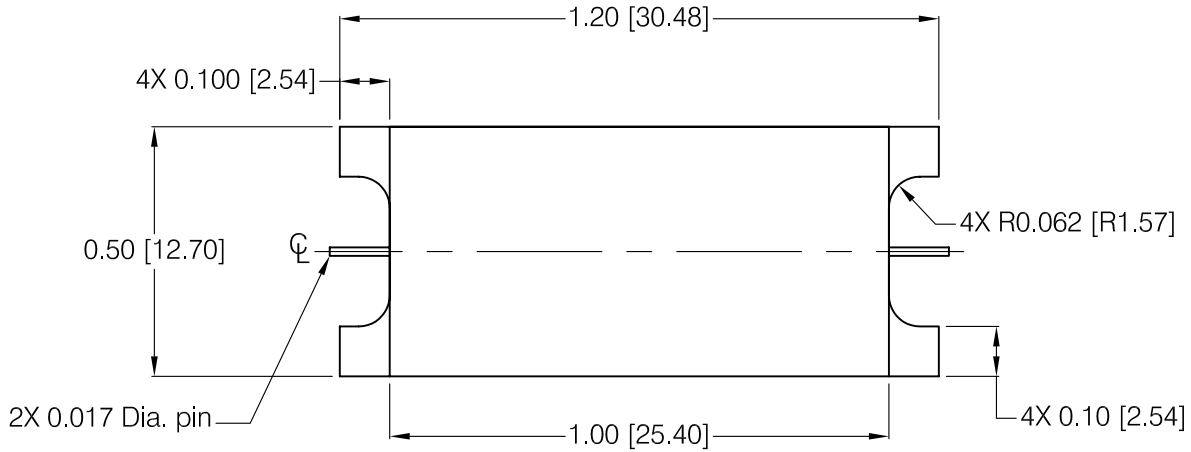
**MODEL: B01-798-34-5AA**



**MCV Technologies., Inc.**  
 6370 Lusk Blvd. San Diego CA 92121  
 Tel. (858) 552-2008 Fax. (858) 552-2005  
 sales@mcvtech.com [www.mcvtech.com](http://www.mcvtech.com)

SIZE	CAGE CODE	DWG NO.	REV
A	1WTM6	83119031	
SCALE NONE		FILE: 83119031-23	SHEET 2-3

3.0 Mechanical Specifications



Material: 1/2 H Brass  
 Finish: Nickel Plate  
 Unless otherwise noted  
 Tol. are: inch [mm]  
 .XX ± 0.020 [0.508]  
 .XXX ± 0.010 [0.254]

THE INFORMATION CONTAINED IN THIS DRAWING IS THE SOLE PROPERTY OF MCV TECHNOLOGIES. ANY REPRODUCTION IN PART OR IN WHOLE WITHOUT THE WRITTEN PERMISSION OF MCV TECHNOLOGIES IS PROHIBITED.

MODEL: B01-798-34-5AA



MCV Technologies., Inc.  
 6370 Lusk Blvd. San Diego CA 92121  
 Tel. (858) 552-2008 Fax. (858) 552-2005  
 sales@mcvtech.com www.mcvtech.com

SIZE	CAGE CODE	DWG NO.	REV
A	1WTM6	83119031	
SCALE NONE		FILE: 83119031-33	SHEET 3-3