

**BCM1220-100A1**  
**MCV Microwave Filter Specification**

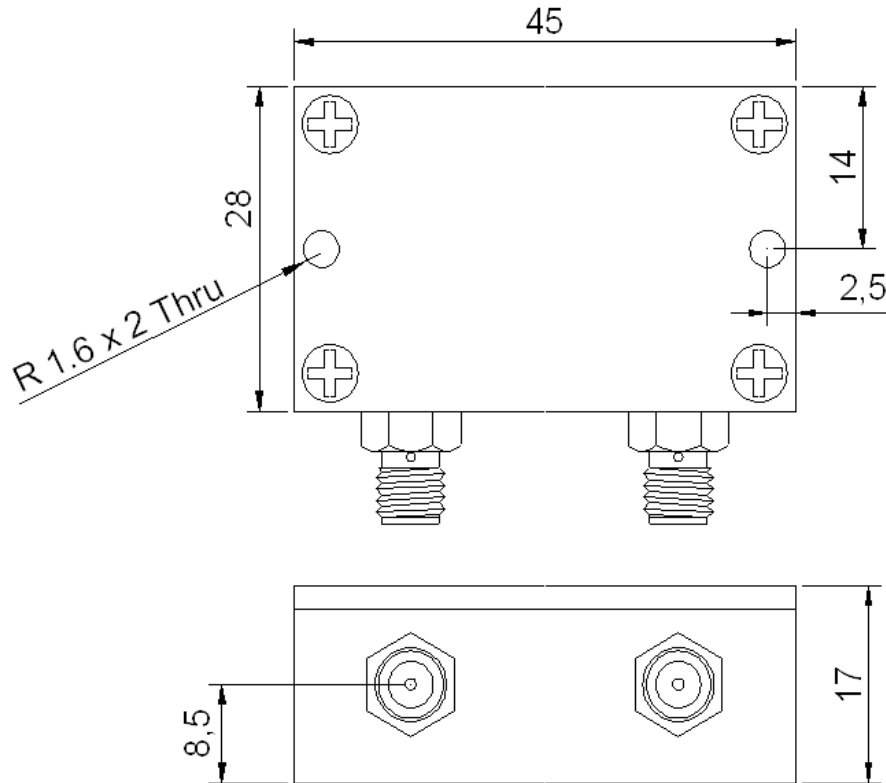
Date: 4/4/13

Part Number: BCM1220-100A1

**Electrical Specification**

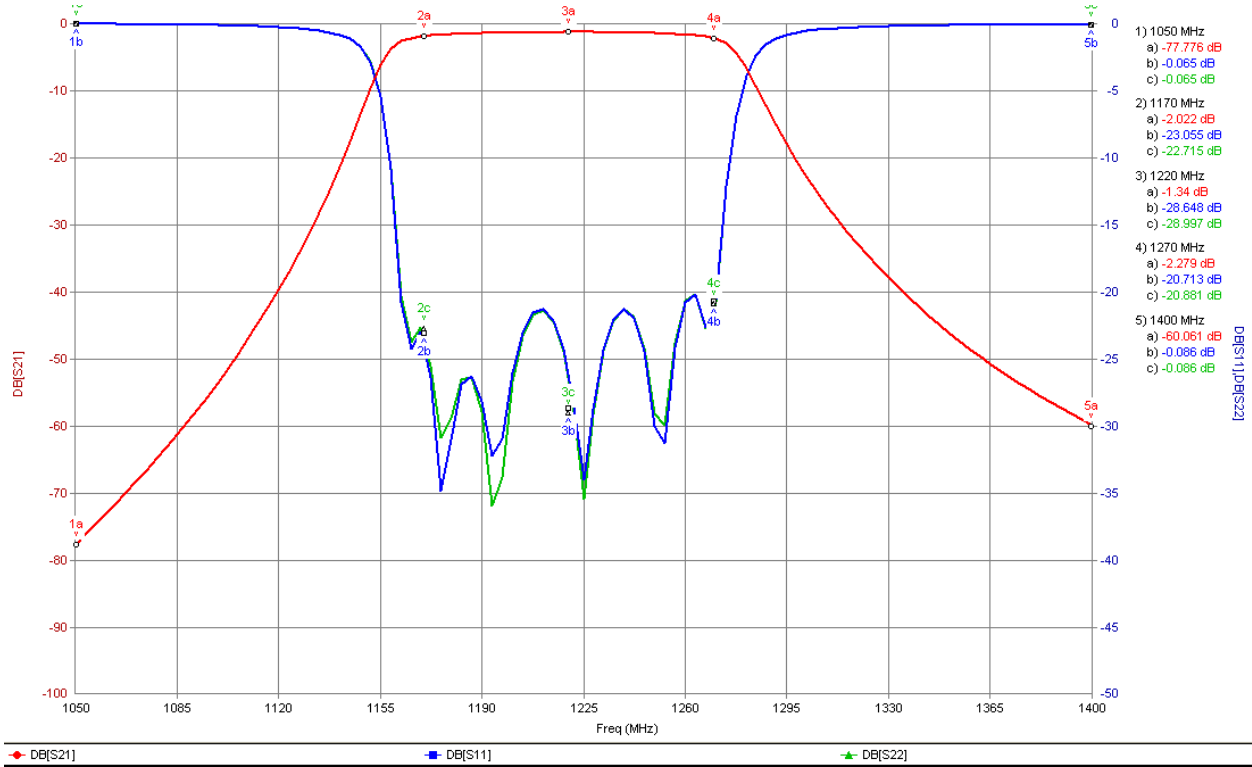
No.	Parameter	Unit	Specification
1	Center Frequency	MHz	1220
2	Frequency Range	MHz	1170~1270
3	Insertion Loss at Fo	dB	3.0 max.
4	3dB Bandwidth	MHz	100
5	Ripple in Bandwidth	dB	1.0 max.
6	Return Loss in BW	dB	14.0 min.
7	Attenuation	dBc	55 min. @ 1050 MHz
			55 min. @ 1400 MHz
8	Input Power	Watt	3 max.
9	IN/OUT Impedance	$\Omega$	50
10	Temp. Range	$^{\circ}\text{C}$	-40 ~ +85
11	Connector	-	SMA(Female)

**Dimensions – mm**



### BCM1220-100A1

#### Simulation





**BCM1220-100A1**