

## Ceramic Filter Preliminary Specification

Part No.: BCM1325-150A1

Customer:

DESIGN

CHECK

APPROVAL

Date: 2007-04-11

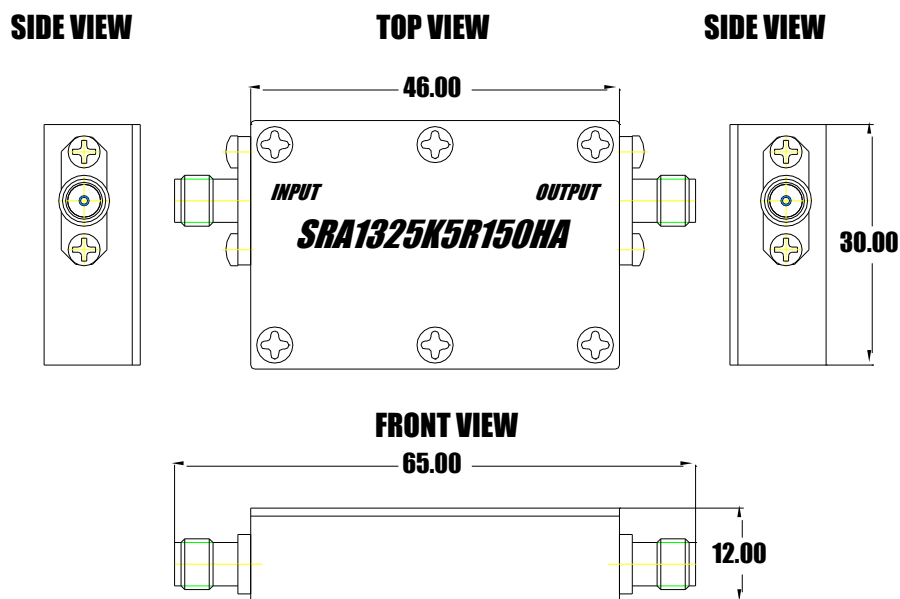
### SPECIFICATION

#### 1.0 ELECTRICAL

1.1 Center Frequency [fo]	1325 MHz
1.2 BandWidth [BW]	$F_{o\pm 75}$ [ 1250 ~ 1400 ] MHz
1.3 Insertion Loss in BW	1.0 dB max.
1.4 Ripple in BW	0.1 dB max.
1.5 V S W R in BW	1.2 : 1 max
1.6 In/Out Impedance	50 $\Omega$
1.7 Attenuation [Absolute Value]	50.0 dB min. @ 1000 MHz
	40.0 dB min. @ 1700 MHz
1.8 Operation Temperature Range	-40°C to +85°C
1.9 Input/Output Connector	SMA Connector

#### 2.0 MECHANICAL

##### 2.1 Outline Dimension



## 2.2 Simulation Data

