

## Features

- Low Insertion Loss
- High Attenuation
- Compact Size
- SMA connectors

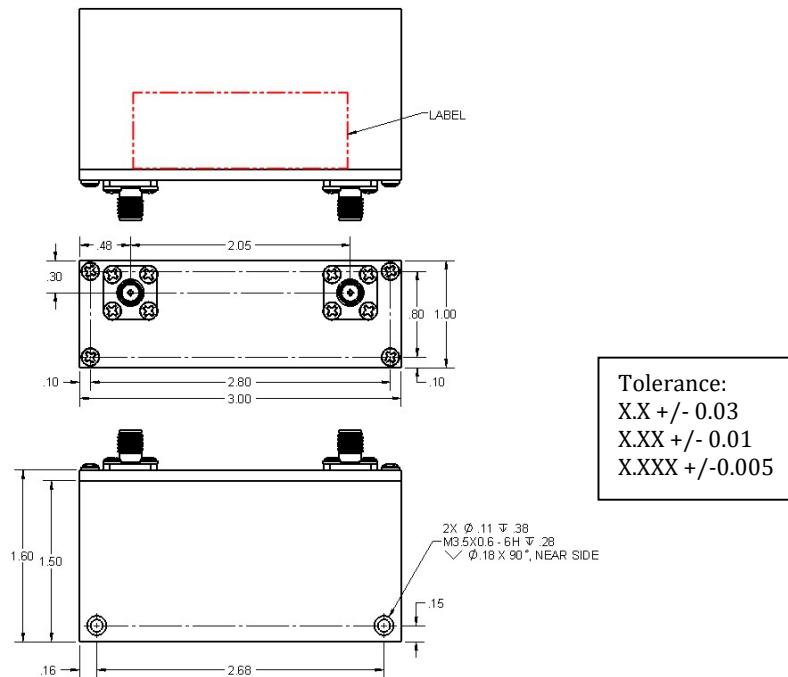
## Descriptions

Miniature ceramic bandpass filter developed for GSM band applications.

## Electrical Specifications

Parameter	Unit	Specification
Center Frequency	MHz	860
Passband Frequency Range	MHz	851 ~ 869
Insertion Loss in Passband	dB	3.2 max
Ripple in Passband	dB	2.0 max
Return Loss (VSWR) in Passband	dB	15 min (1.43:1 max)
Attenuation @ 806 ~ 824MHz	dB	60 min
In/Out Impedance	Ohm	50
Power Handling	Watt	2 (CW) max
Operating Temperature	°C	-40 ~ +85
Dimensions (+/- 0.01)	inches	3.00 x 1.00 x 1.60 (L x W x H)

## Mechanical Drawing:



## Electrical Response:

