

Features

- Low Insertion Loss
- High Attenuation
- Compact Size
- SMA connector

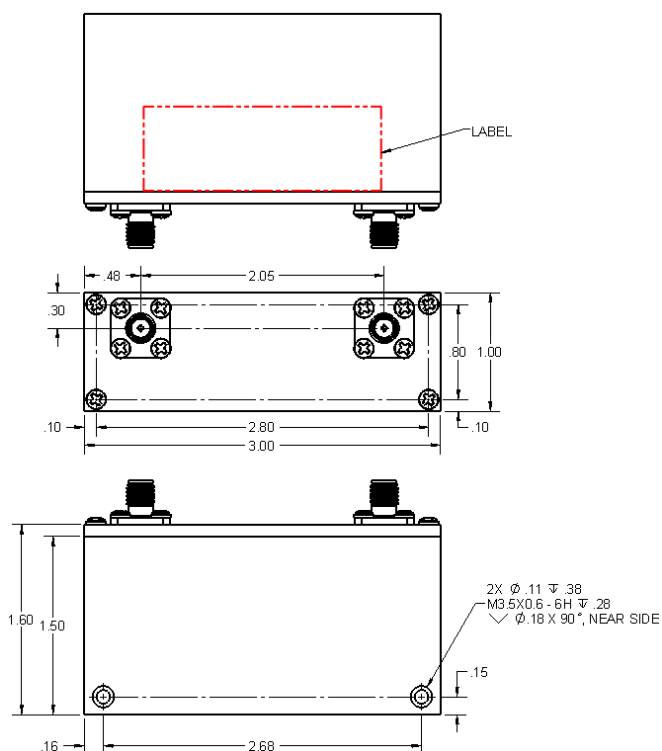
Descriptions

Miniature ceramic bandpass filter developed for LTE band-5 applications.

Electrical Specifications

Parameter	Unit	Specification
Center Frequency	MHz	881.5
Passband Frequency Range	MHz	869 ~ 894
Insertion Loss in Passband	dB	3.2 max
Ripple in Passband	dB	2.0 max
Return Loss (VSWR) in Passband	dB	15 min (1.43:1 max)
Attenuation @ 824 ~ 849MHz	dB	60 min
In/Out Impedance	Ohm	50
Power Handling	Watt	2 (CW) max
Operating Temperature	°C	-40 ~ +85
Dimensions (+/- 0.01)	inches	3.00 x 1.00 x 1.60 (L x W x H)

Mechanical Drawing:



Tolerance:
 X.X +/- 0.03
 X.XX +/- 0.01
 X.XXX +/- 0.005

Electrical Response:

