

Features

- Low Insertion Loss
- High Attenuation
- Compact Size
- SMA Connector Mount

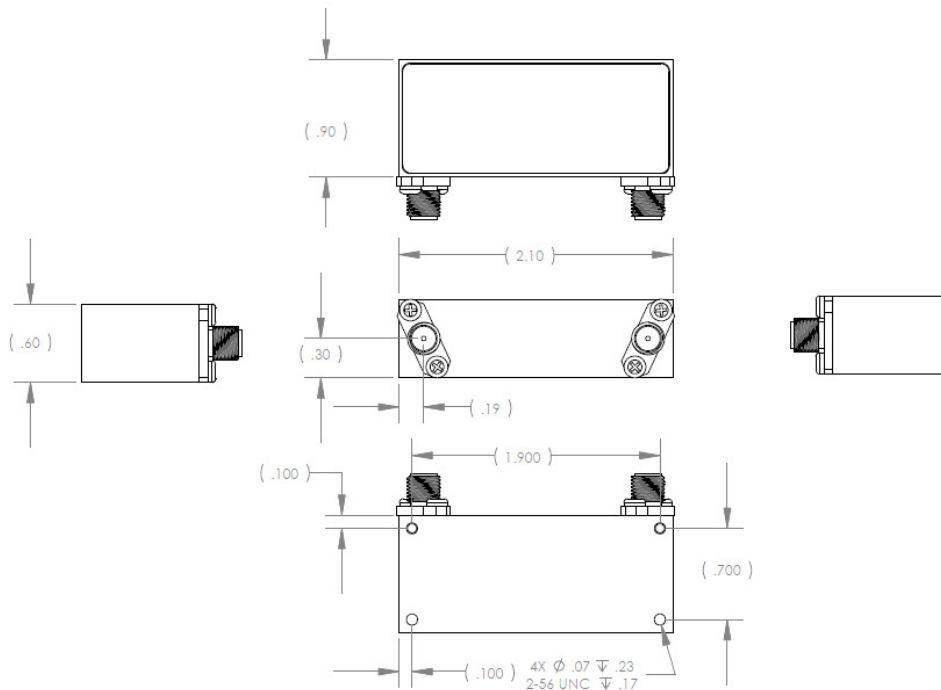
Descriptions

SMA connector mount ceramic bandpass filter developed for S band applications.

Electrical Specifications

Parameter	Unit	Specification
Center Frequency	MHz	1400
Passband Frequency Range	MHz	1390 ~1410
Insertion Loss in Passband	dB	3.0 max
Passband Flatness	dB	1.0 max
Return Loss (VSWR) in Passband	dB	16 min
Attenuation at Reject Band	dB	70 min @ 1350MHz
		70 min @ 1470MHz
Power Handling	dBm	20.0 CW Max
In/Out Impedance	Ohm	50
Operating Temperature	°C	0 ~ +50
Dimensions	inch	2.1 x 0.9 x 0.6 (L x W x H)
RoHS	-	Yes

Mechanical Drawing



Electrical Response

