



Monolithic Block Filter Preliminary Specification

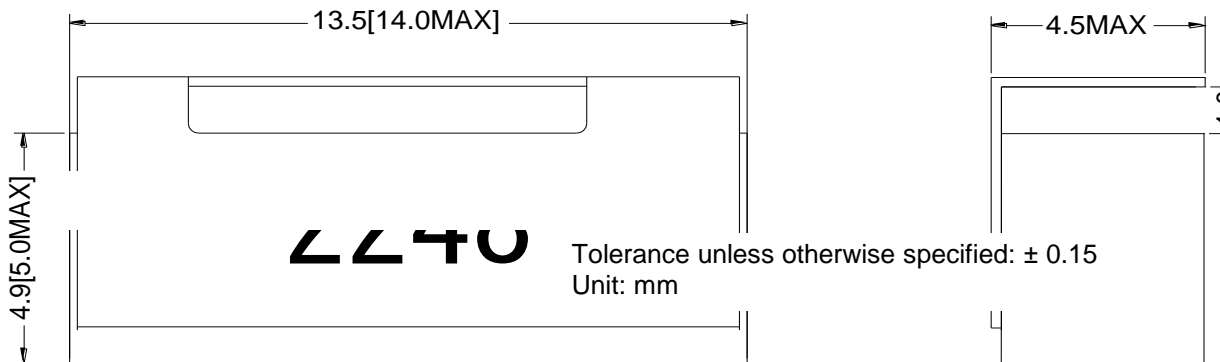
Part No: MBP44RC1N2248S96A
 Date: 01/13/05

Electrical Specifications:

No.	Characteristics	Unit	Typical	Minimum	Maximum
1	Frequency Range	MHz	2248	2200	2296
2	Bandwidth	MHz		96	
3	Insertion Loss in BW	dB			3.0
4	Ripple in BW	dB			0.75
5	Return Loss in BW	dB		12	
6	Attenuation @ 2354 - 2380 MHz	dB		43	
7	In/Out Impedance	Ohm	50		
8	Operation Temperature	C	-30 to +85		

Dimensions:

TOP VIEW



Tolerance unless otherwise specified : ± 0.15

Dimension unit : mm

- : GND
- : Port

BOTTOM VIEW

