



Monolithic Block Filter Preliminary Specification (2.4 GHz - Band 1 R4 RX Filter Spec)

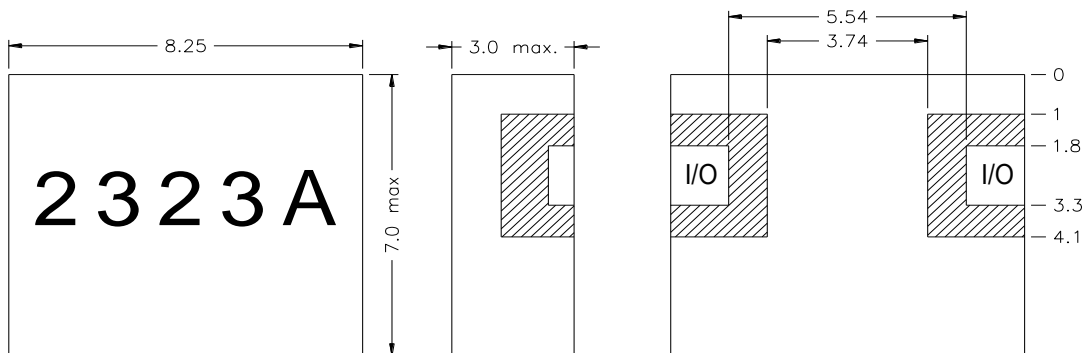
Part No: MBP33R2323S30B

Date:

Specification:

No.	Characteristics	Unit	Typical	Minimum	Maximum
1	Frequency Range	MHz	2323	2308	2338
2	Bandwidth	MHz			30
3	Insertion Loss in BW	dB			3.0
4	Ripple in BW	dB			0.7
5	V.S.W.R.				1.5
6	Attenuation	@ 2500 MHz		35	
		1824 - 1858 MHz		40	
		2066 - 2096 MHz		35	
		2188 - 2218 MHz		30	
		2402 - 2432 MHz		15	
		@ 3000 MHz		35	
7	In/Out Impedance	Ohm	50		
8	Operation Temperature	C	-40 to +85		

Dimensions:



Tolerance .X \pm $\frac{.30}{3}$
.XX \pm $\frac{.15}{3}$

Unit : mm

