



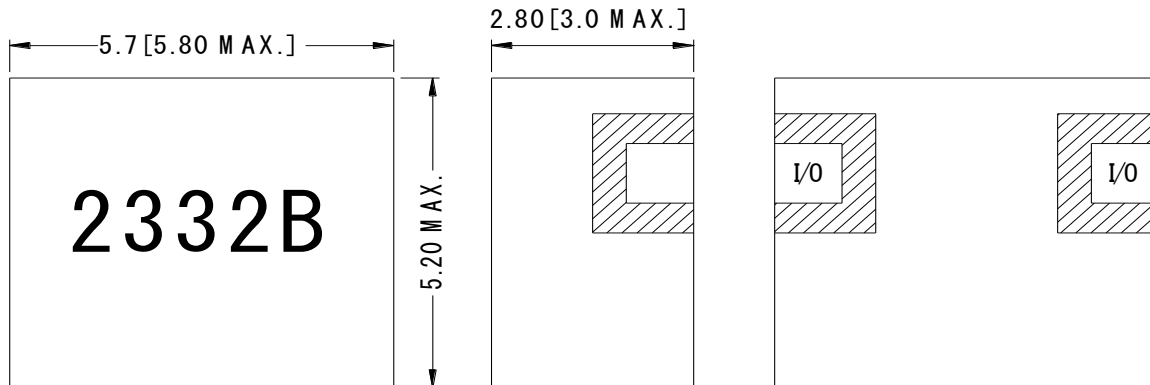
Monolithic Block Filter Preliminary Specification

Part No: MBP32R2332S25B
 Date: 1/24/2001

Specification:

No.	Characteristics	Unit	Typical	Minimum	Maximum
1	Frequency Range	MHz	2332.5	2320	2345
2	Band Width	MHz			25
3	Insertion Loss	dB	2.5		3.0
4	Ripple in BW	dB	0.5		1.0
5	V.S.W.R.		1.5		2.0
6	Attenuation	dB	450 MHz	35	
			824 - 894 MHz	35	
			1433 MHz	35	
			1850 - 1990 MHz	35	
			2106 MHz	35	
			2571 MHz	35	
7	In/Out Impedance	ohm	50		
8	Operation Temperature	C		-30 to +85	

Dimensions:



Tolerance : .x : ±0.3
 .xx : ±0.15

Unit: mm