

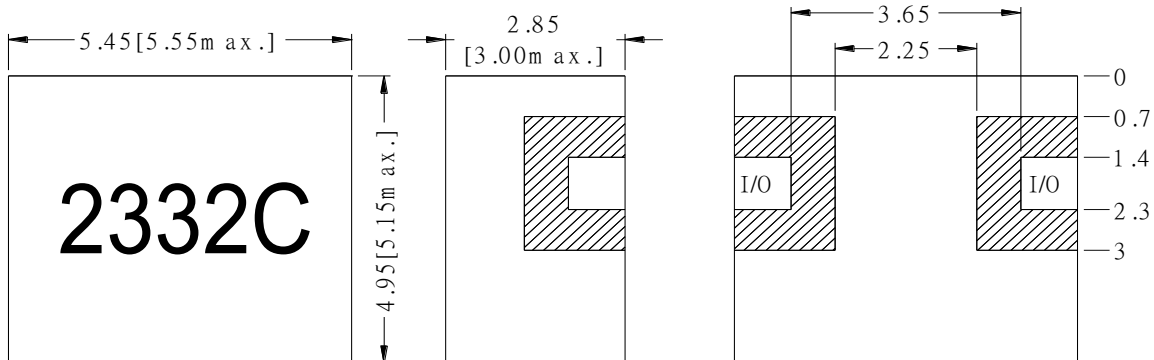
Monolithic Block Filter Sample Specification

Part No: MBP32R2332S25C
 Date: 2/11/2001

Specification:

No.	Characteristics	Unit	Typical	Minimum	Maximum
1	Frequency Range	MHz	2332.5	2320	2345
2	Bandwidth	MHz			25
3	Insertion Loss	dB			3.0
4	Ripple in BW	dB			1.0
5	V.S.W.R.				2.0
6	Attenuation	dB	450 MHz		35
			824 - 894 MHz		35
			1433 MHz		35
			1850 - 1990 MHz		35
			2106 MHz		35
			2571 MHz		30
7	In/Out Impedance	ohm	50		
8	Operation Temperature	C	-30 to +85		

Dimensions:



Tolerance: .x \pm 0.3
 .xx \pm 0.15

Unit: mm

