

## Monolithic Block Filter Preliminary Specification

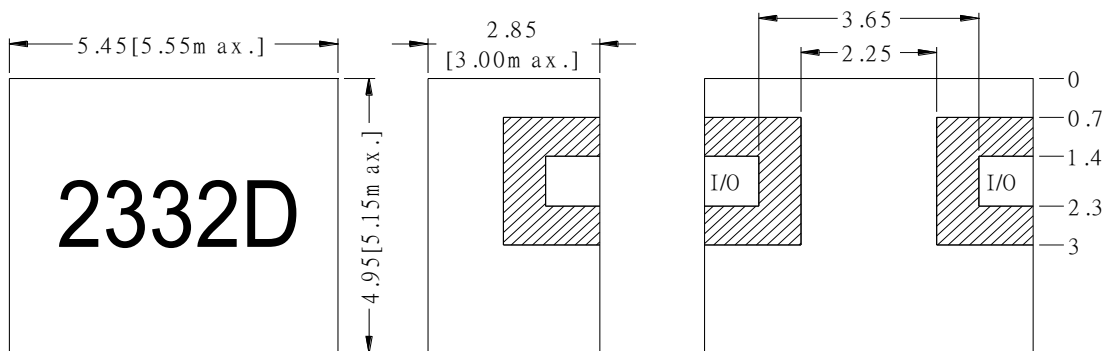
Part No: MBP32R2332S25D

Date: 4/15/2001

**Specification:**

No.	Characteristics	Unit	Typical	Minimum	Maximum
1	Frequency Range	MHz	2332.5	2320	2345
2	Bandwidth	MHz			25
3	Insertion Loss in BW	dB			2.0
4	Ripple in BW	dB			1.0
5	V.S.W.R.				2.0
6	Attenuation	dB	450 MHz		35
			824 - 894 MHz		35
			1433 MHz		35
			1850 - 1990 MHz		35
			2106 MHz		35
			2571 MHz		27
7	In/Out Impedance	ohm	50		
8	Operation Temperature	C	-30 to +85		

**Dimensions:**



Tolerance: .x :± 0.3  
 .xx :± 0.15

Unit: mm