

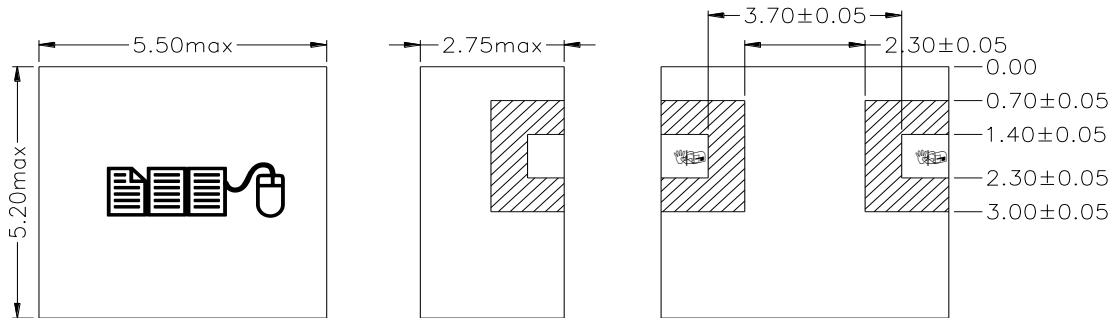
## Mono Block Filter Specification

Part No: MBP32R2338S13A  
 Date: 4/26/2001

**Specification:**

No.	Characteristics	Unit	Typical	Minimum	Maximum
1	Frequency Range	MHz	2338.75	2332.5	2345
2	Band Width	MHz			12.5
3	Insertion Loss	dB	2.5		3.0
4	Ripple in BW	dB	0.5		1.0
5	V.S.W.R.		1.5		2.0
6	Attenuation	2109 MHz		25	
		2568 MHz		25	
7	In/Out Impedance	ohm	50		

**Dimensions:**



Tolerance Unless  
 Otherwise Specified: ±0.15  
 Unit:mm