



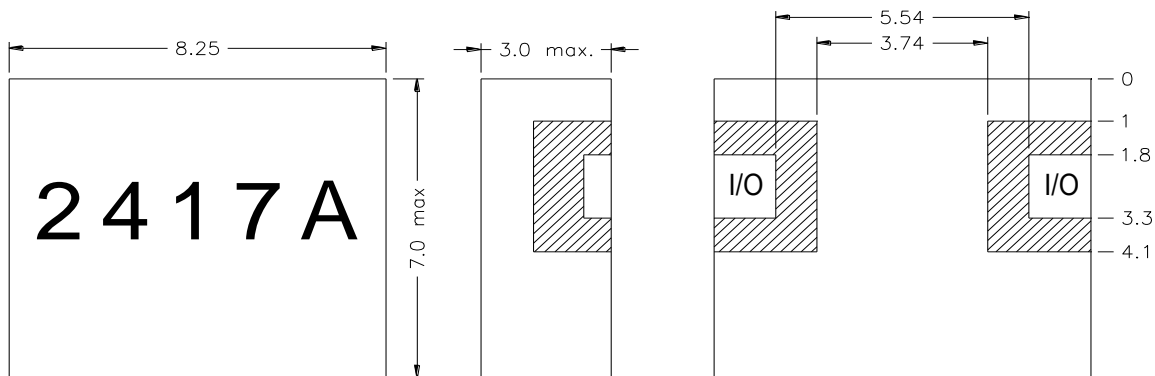
Monolithic Block Filter Specification (2.4 GHz - Band 1 R4 TX Filter Spec)

Part No: MBP33R2417S30PA
Date: 12/16/2003

Specification:

No.	Characteristics	Unit	Typical	Minimum	Maximum
1	Frequency Range	MHz	2417	2402	2432
2	Bandwidth	MHz			30
3	Insertion Loss in BW	dB			3.0
4	Ripple in BW	dB			0.7
5	V.S.W.R.				1.5
6	Attenuation	@ 1500 MHz		35	
		1918 - 1952 MHz		40	
		2162 - 2192 MHz		30	
		2282 - 2312 MHz		28	
		2312 - 2338 MHz		15	
		@ 3000 MHz		35	
7	In/Out Impedance	Ohm	50		
8	Operation Temperature	C	-30 to +85		

Dimensions:



Tolerance .X j \pm 0.30
.XX j \pm 0.15

Unit : mm

