



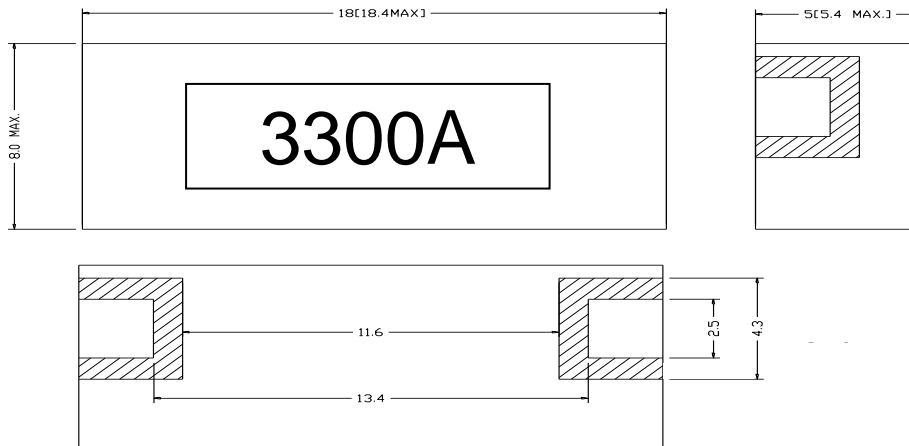
## Monolithic Bandpass Filter Specifications

Part No: MBP54R3300S30A  
 Date: 8/24/2004

### Electrical Specifications:

No.	Characteristics	Unit	Typical	Minimum	Maximum
1	Frequency Range	MHz	3300	3292.5	3307.5
2	Bandwidth	MHz			15
3	Insertion Loss in BW	dB			3.0
4	Ripple in BW	dB			1.0
5	V.S.W.R.				2.0
6	Attenuation	@ 3140 MHz		35	
		@ 3220 MHz		35	
		@ 3480 MHz		35	
7	In/Out Impedance	Ohm	50		
8	Operation Temperature	°C	-30 to +85		

### Dimensions:



Tolerance: .X: ± 0.30  
 .XX: ± 0.15  
 Unit: mm