



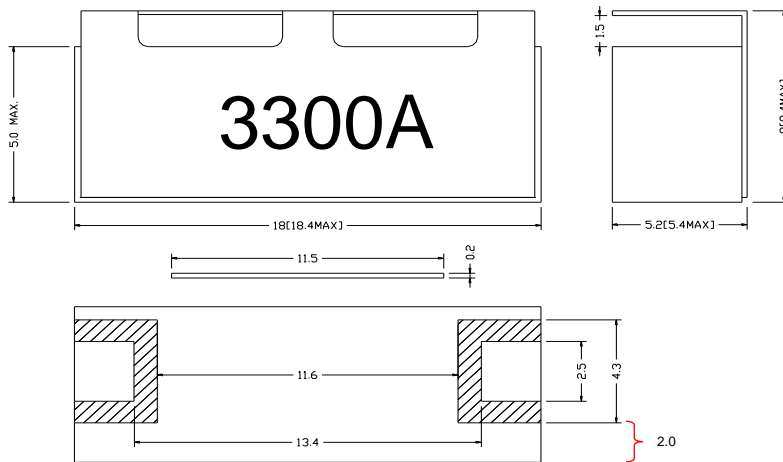
## Monolithic Bandpass Filter Specifications

Part No: MBP54RC3300S30A  
 Date: 9/24/04

### Electrical Specifications:

| No. | Characteristics       | Unit       | Typical    | Minimum | Maximum |
|-----|-----------------------|------------|------------|---------|---------|
| 1   | Frequency Range       | MHz        | 3300       | 3285    | 3315    |
| 2   | Bandwidth             | MHz        |            |         | 30      |
| 3   | Insertion Loss in BW  | dB         |            |         | 3.0     |
| 4   | Ripple in BW          | dB         |            |         | 1.0     |
| 5   | V.S.W.R.              |            |            |         | 2.0     |
| 6   | Attenuation           | @ 3140 MHz |            | 35      |         |
|     |                       | @ 3220 MHz |            | 35      |         |
|     |                       | @ 3480 MHz |            | 35      |         |
| 7   | In/Out Impedance      | Ohm        | 50         |         |         |
| 8   | Operation Temperature | °C         | -30 to +85 |         |         |

### Dimensions:



Tolerance: .X: ± 0.30  
 .XX: ± 0.15

Unit: mm