

## Features

- Narrow Bandwidth
- High Attenuation
- Compact Size
- Surface Mount

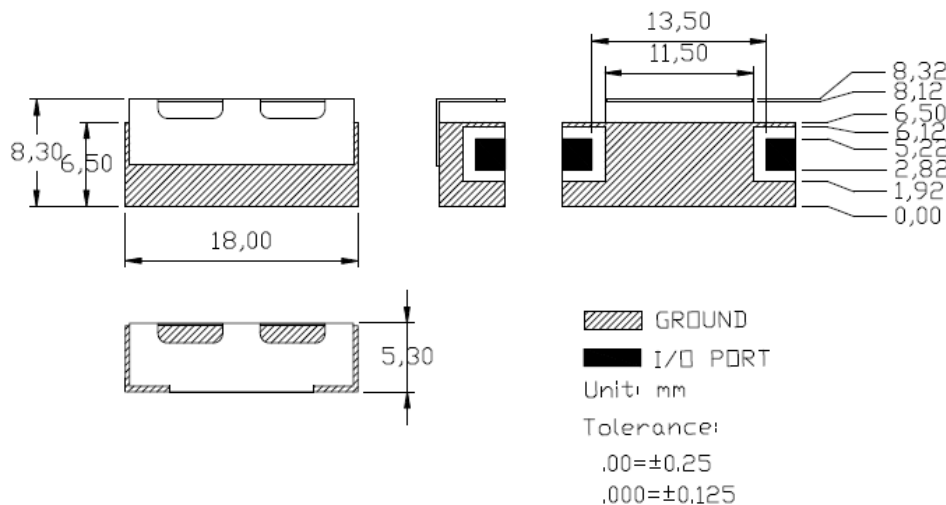
## Descriptions

Surface mount mono-block ceramic bandpass filter developed for S band applications.

## Electrical Specifications

Parameter	Unit	Specification
Center Frequency (Fc)	MHz	3380
Passband Frequency Range	MHz	3365-3395
Insertion Loss in Passband	dB	4.0 max
Ripple in Passband	dB	1.0 max
Return Loss(VSWR) in Passband	dB	2.0:1 max
Attenuation	dBc	35 min @ 3300 MHz
		35 min @ 3460 MHz
Power Handling	Watt	1 CW max
IN/OUT Impedance	Ohm	50
Operating Temperature	°C	-30 ~ +85
Dimensions	mm	18.0 x 8.3 x 5.3 (L x W x H)
RoHS	-	Yes

## Mechanical Drawing



## Electrical Response

