



Monolithic Block Filter Specification (3.5 GHz - Band 1 R4 TX Filter Spec)

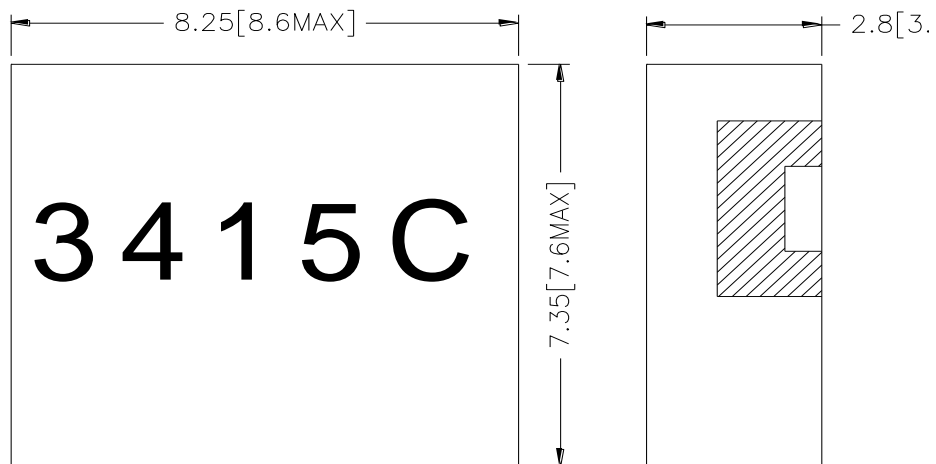
Part No: MBP33R3415S30C

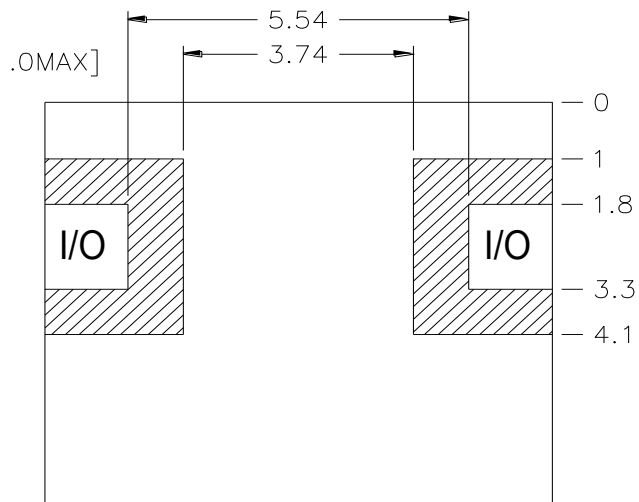
Date: 6/16/04

Specification:

No.	Characteristics	Unit	Typical	Minimum	Maximum	
1	Frequency Range	MHz	3415	3400	3430	
2	Bandwidth	MHz			30	
3	Insertion Loss in BW	dB			3.0	
4	Ripple in BW	dB			0.5	
5	V.S.W.R.				1.5	
6	Attenuation	< 2452.5 MHz		35		
		2917.5 - 2948.5 MHz		40		
		3161.5 - 3188.5 MHz	dB		35	
		3280.5 - 3307.5 MHz			25	
		3470.5 - 3500.5 MHz			15	
		@ 3952.5 MHz			35	
7	In/Out Impedance	Ohm	50			
8	Operation Temperature	C	-40 to +85			

Dimensions:





Tolerance $\pm 3/1000$

Tolerance .X j 70.50
.XX j 30.15
Unit : mm