

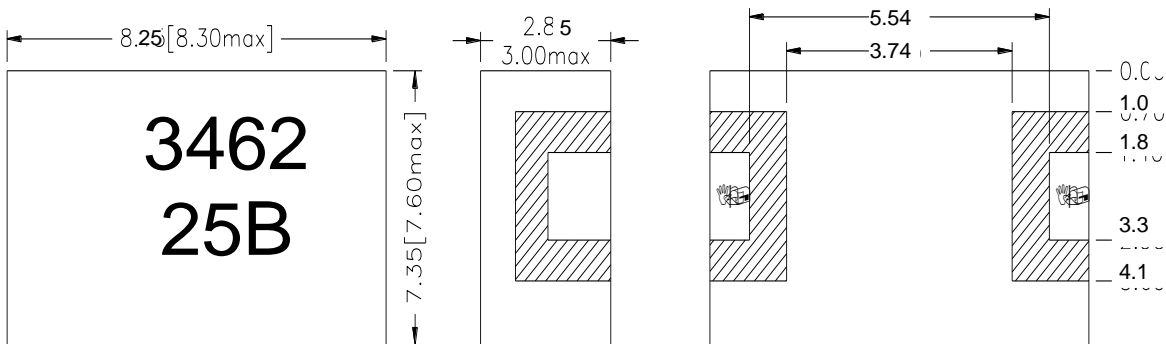
Monolithic Block Filter Preliminary Specification (R4 TX RF BPF Band 3 Option 2)

Part No.: MBP33R3462S25B
 Lot No.: 0308
 Date: 2/28/2003

Specification:

No.	Characteristics	Unit	Typical	Minimum	Maximum	
1	Frequency Range	MHz	3462.5	3450	3475	
2	Bandwidth	MHz			25	
3	Insertion Loss in BW	dB			4.0	
4	Ripple in BW	dB			0.5	
5	V.S.W.R.				1.5	
6	Attenuation	<2500 MHz		35		
		2804 - 2829 MHz		40		
		3127 - 3152 MHz		38		
		3521 - 3545 MHz	dB		15	
		3550 - 3575 MHz			25	
		4000 - 5000 MHz			35	
		6900 - 6950 MHz			10	
7	In/Out Impedance	Ohm	50			
8	Operation Temperature	C	-40 to +85			

Dimensions:



Tolerance .X \pm 0.30
 .XX \pm 0.15
 Unit : mm

