



Monolithic Block Filter Preliminary Specification 3.5GHz RU Rx Filter (B-Band)

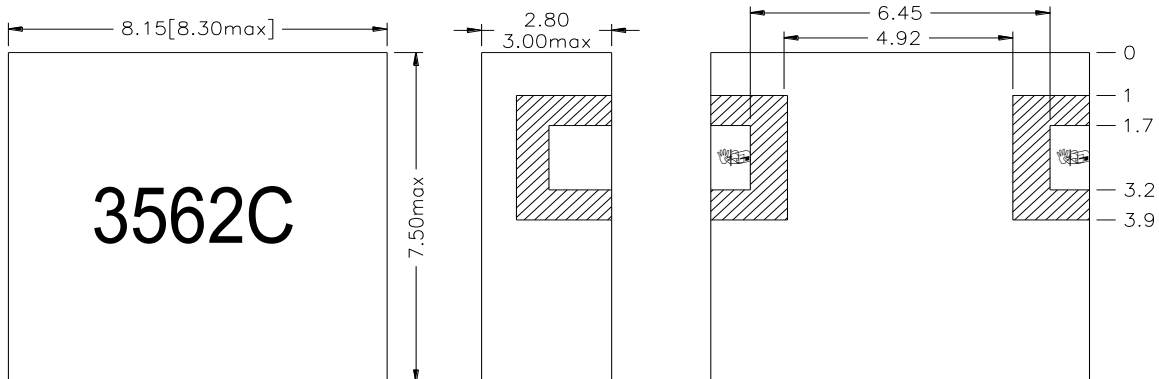
Part No: MBP33R3562S27PC

Date: 6/27/2002

Specification:

No.	Characteristics	Unit	Typical	Minimum	Maximum	
1	Frequency Range	MHz	3562.5	3549	3576	
2	Bandwidth	MHz			27	
3	Insertion Loss in BW	dB			2.5	
4	Ripple in BW	dB			0.5	
5	V.S.W.R.				1.5	
6	Attenuation	<2500 MHz		35		
		3065 - 3096 MHz		40		
		3309 - 3336 MHz	dB		30	
		3428 - 3455 MHz			28	
		3449 - 3471 MHz			15	
		>4000 MHz			35	
7	In/Out Impedance	Ohm	50			
8	Operation Temperature	C	-40 to +85			

Dimensions:



Tolerance .X: +/- 0.30

.XX: +/- 0.15

Unit : mm