



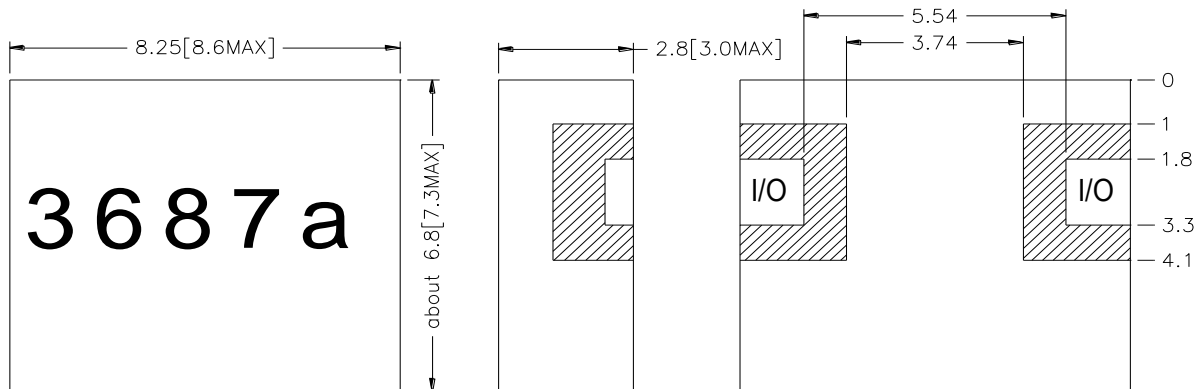
Monolithic Block Filter Specification

Part No: MBP33R3687S25A
 Date: 11/3/04

Properties:

No.	Characteristics	Unit	Typical	Minimum	Maximum	
1	Frequency Range	MHz	3687	3674.5	3699.5	
2	Bandwidth	MHz			25	
3	Insertion Loss in BW	dB			3.0	
4	Ripple in BW	dB			0.5	
5	V.S.W.R.				1.5	
6	Attenuation	@ 2500 MHz		35		
		3191 - 3216 MHz		40		
		3433 - 3458 MHz		35		
		3554 - 3579 MHz	dB		30	
		3579 - 3600 MHz			20	
		3605 - 3630 MHz			15	
		@ 4000 MHz			35	
7	In/Out Impedance	Ohm	50			
8	Operation Temperature	C	-40 to +85			

Dimensions:



Tolerance: .X ± 0.30
 .XX ± 0.15

Unit: mm