



## Monolithic Block Filter Preliminary Specification

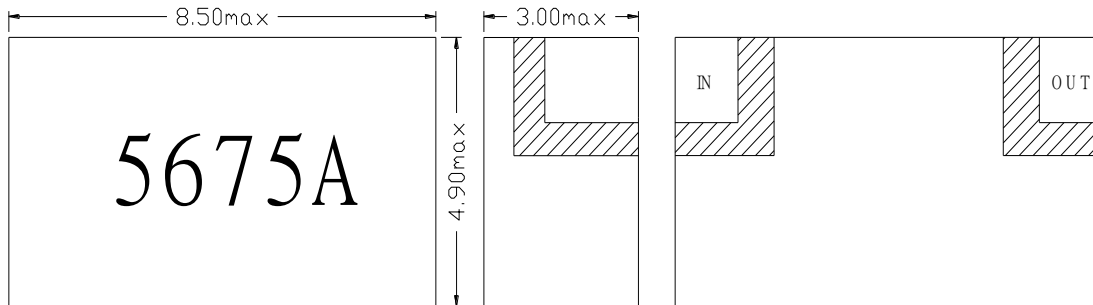
Part No: BNM5675-120A1

Date: 4/29/2002

**Specification:**

No.	Characteristics	Unit	Typical	Minimum	Maximum
1	Frequency Range	MHz	5675	5615	5735
2	Band Width (1dB)	MHz			120
3	Insertion Loss	dB			2.8
4	Ripple in BW	dB			0.7
5	V.S.W.R.				2.0
6	Attenuation	5250 MHz		35	
		5375 MHz		25	
7	In/Out Impedance	ohm	50		
8	Operation Temperature	°C		-40	85

**Dimensions:**



Tolerance : X ± 0.3  
 XX ± 0.15  
 Unit : mm