

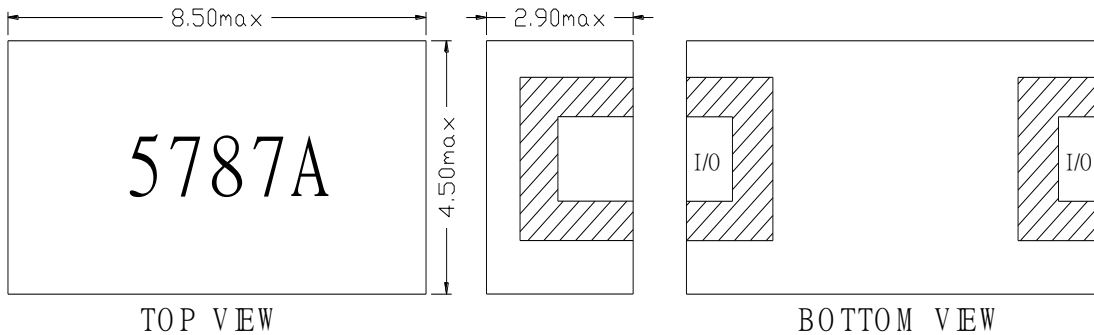
Monolithic Block Filter Preliminary Specification

Part No: **BNM5787-125B1**
 Date: **4/16/2002**

Specification:

No.	Characteristics	Unit	Typical	Minimum	Maximum
1	Frequency Range	MHz	5787.5	5725	5850
2	Band Width (1dB)	MHz			125
3	Insertion Loss	dB			2.8
4	Ripple in BW	dB			1.0
5	V.S.W.R.				2.0
6	Attenuation	5350 MHz		35	
		5475 MHz		25	
7	In/Out Impedance	ohm	50		
8	Operation Temperature	°C			85

Dimensions:



Tolerance : X : ± 0.2
 .XX : ± 0.15
 Unit mm