

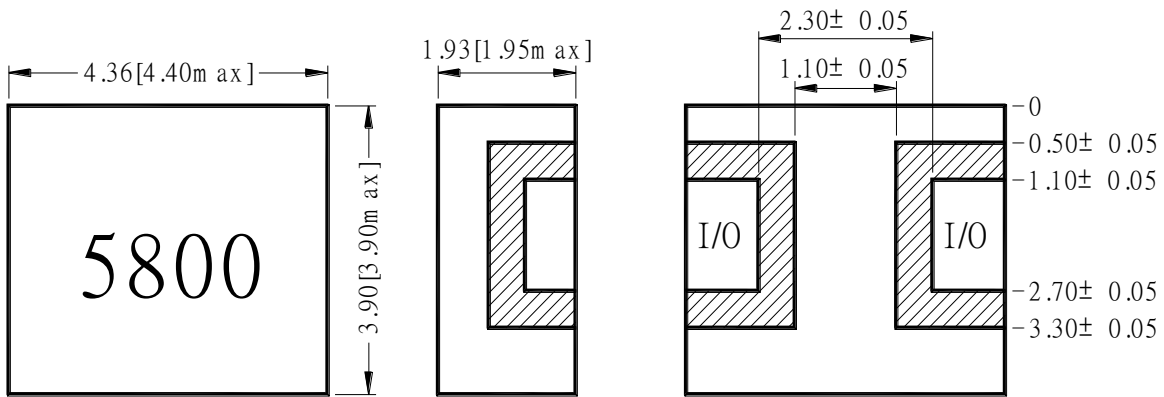
## Mono Block Filter Specification

Part No: **BNM5800-100A1**  
 Date: **4/26/2001**

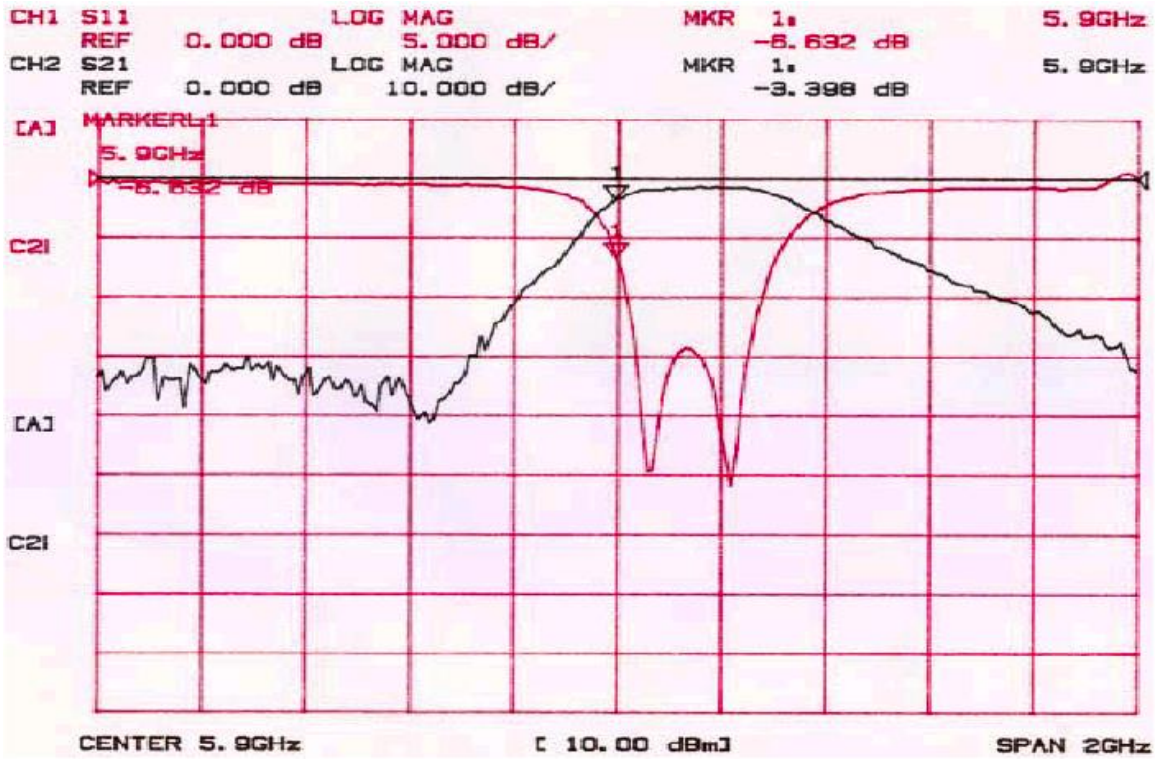
**Specification:**

No.	Characteristics	Unit	Typical	Minimum	Maximum
1	Frequency Range	MHz	5800	5750	5850
2	Band Width (1dB)	MHz			100
3	Insertion Loss	dB	1.5		2.0
4	Ripple in BW	dB	0.5		1.0
5	V.S.W.R.		1.5		2.0
6	Attenuation	5425 MHz		25	
		6175 MHz		10	
7	In/Out Impedance	ohm	50		

**Dimensions:**



Tolerance Unless  
 Otherwise Specified : ± 0.15  
 Unit : mm



11696 Sorrento Valley Road, Suite J, San Diego, CA 92121  
TEL: (858) 755-6080, FAX: (858) 755-6037, email: [info@mcvtech.com](mailto:info@mcvtech.com)