

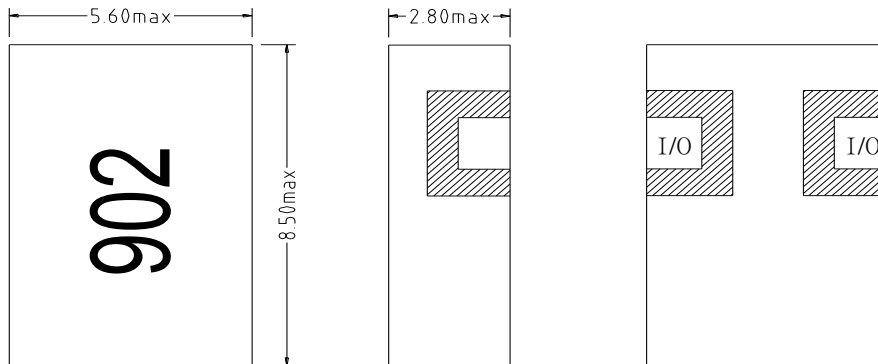
## Mono Block Filter Specification

Part No: **MBP32R902S25B**  
 Date: **4/26/2001**

**Specification:**

No.	Characteristics	Unit	Typical	Minimum	Maximum
1	Frequency Range	MHz	902.5	890	915
2	Band Width	MHz			25
3	Insertion Loss	dB	2.4		2.6
4	Ripple in BW	dB	1.0		1.2
5	V.S.W.R.		1.8		2.3
6	Attenuation	825 MHz		27	
		870 MHz		9	
		935 MHz		6.5	
		980 MHz		17	
7	In/Out Impedance	ohm	50		
8	Operation Temperature	°C		-30	85

**Dimensions:**



Tolerance Unless  
 Otherwise Specified :  $\pm 0.15$   
 Unit: mm