

Monolithic Block Filter Specifications

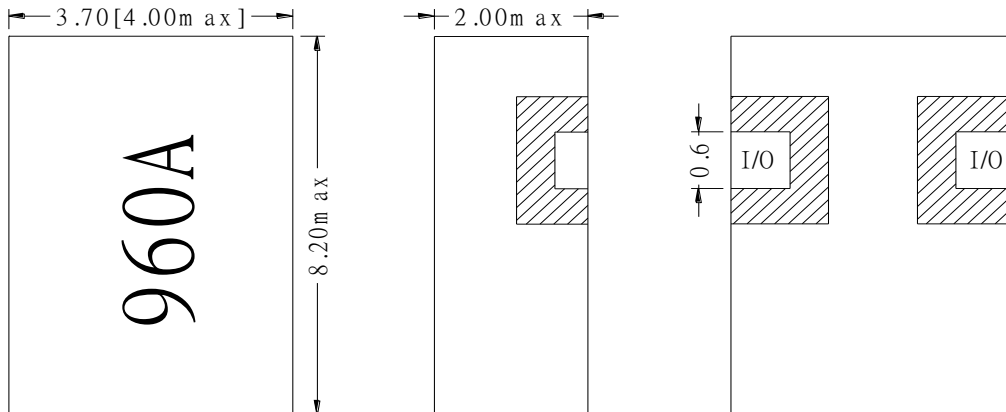
Part No: MBP22R960S04A

Date: 11/11/2003

Specification:

No.	Characteristics	Unit	Value
1	Center Frequency	MHz	960
2	Bandwidth	MHz	4
3	Insertion Loss in BW (max.)	dB	3.0
4	Ripple in BW (max.)	dB	0.5
5	V.S.W.R. (max.)		2.0
6	Attenuation	dB	TBD
7	In/Out Impedance	ohm	50
8	Operation Temperature	°C	-30 to +85

Dimensions:



Tolerance Unless
 Otherwise Specified : ± 0.30
 Unit : mm