

	Date	June 27, 2013	Version No.	1.0
Part No.	BPM1030-10A			

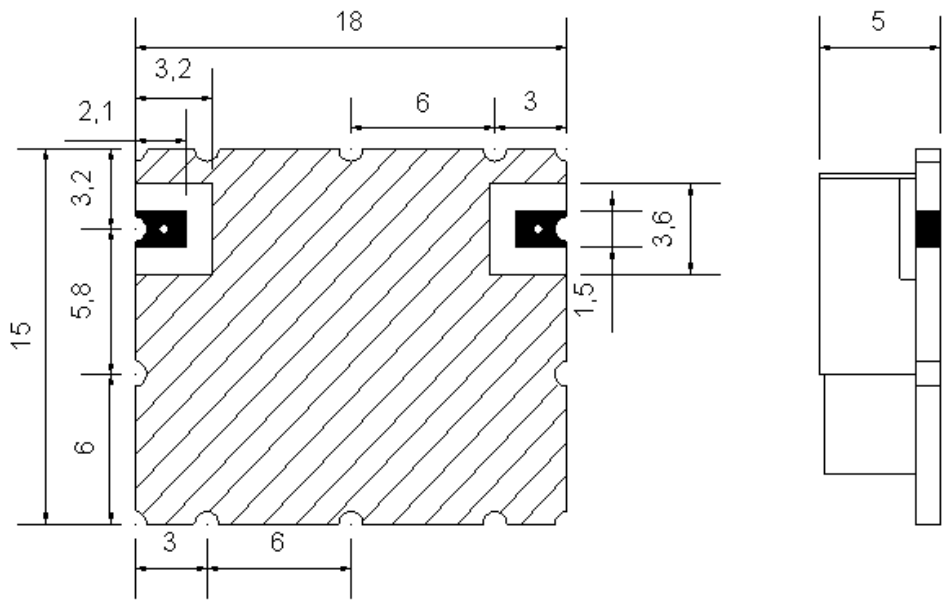
SPECIFICATION


1. Electrical Specification

Parameter	Specification
Center frequency	1030MHz
Band Width	FO \pm 4.5MHz (1025~1035)
Insertion Loss in BW	3.0dBMax
Ripple in BW	1.0dBMax
Return Loss in BW	15 dBMin (1.5 : 1 Max)
Attenuation	60dB Min @ 910MHz 65dB Min @ 1150MHz
Input Power	1W Max
In/Out Impedance	50 Ω
Operating Temperature	- 30 to + 70 $^{\circ}$ C

※ This Filter is RoHS Compliant.

2. Drawing



 :I/O PORT

TOLERANCE UNLESS SPECIFIED : +/- 0.2

 :GRUND

Unit : mm

3. Simulation Data

