

Features

- Narrow Bandwidth
- High Attenuation
- Compact Size
- Surface Mount

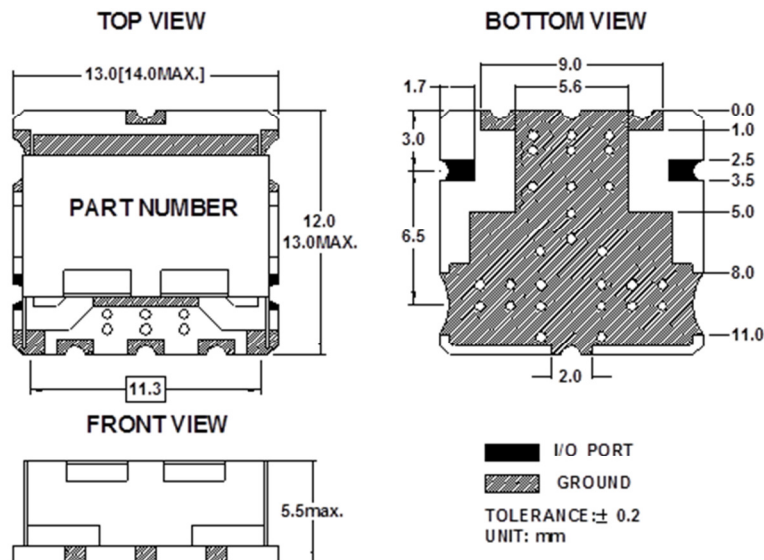
Descriptions

Surface mount ceramic bandpass filter developed for L band applications.

Electrical Specifications

| Parameter | Unit | Specification |
|-------------------------------|------|---------------------------|
| Center Frequency (Fc) | MHz | 1355 |
| Passband Frequency Range | MHz | 1320 ~ 1390 |
| Insertion Loss in Passband | dB | 1.0 dB max |
| Return Loss(VSWR) in Passband | dB | 15.0 min |
| Attenuation | dB | 20 min @ DC ~ 1251 MHz |
| | | 20 min @ 1542 ~ 2290MHz |
| Power Handling | dBm | 20 CW max |
| IN/OUT Impedance | Ohm | 50 |
| Operating Temperature | °C | -40 ~ +85 |
| Dimensions | mm | 14 x 13 x 5.5 (W x D x H) |
| RoHS | - | Yes |

Mechanical Drawing



Electrical Response

