

Features

- Low Insertion Loss
- High Attenuation
- Compact Size
- Surface Mount

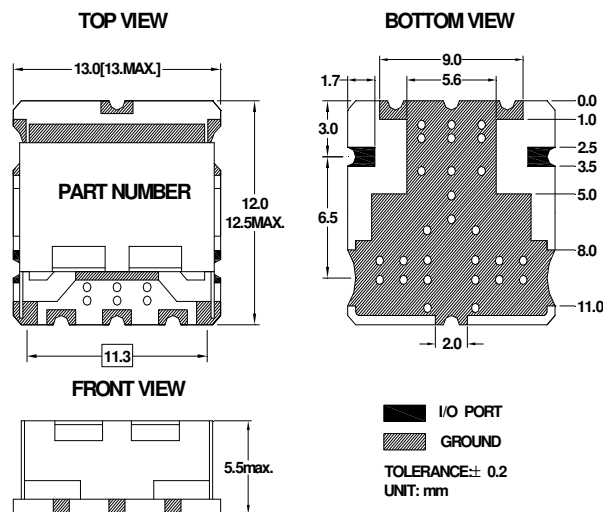
Descriptions

Surface mount mono-block ceramic bandpass filter developed for C band applications.

Electrical Specifications

Parameter	Unit	Specification
Center Frequency (Fc)	MHz	5100
3dB Passband Frequency Range	MHz	4800 ~ 5400
Insertion Loss @ Fc	dB	2.0 max
Return Loss(VSWR) in Passband	dB	14 min
Attenuation	dB	40 min @ DC ~ 3600 MHz
		30 min @ 3600 ~ 4200 MHz
		25 min @ 6000 ~ 9200 MHz
Operating Input Power	Watts	0.1 CW max
IN/OUT Impedance	Ohm	50
Operating Temperature	°C	-40 ~ +85
Dimensions	mm	13.0 x 12.5 x 5.5 (L x W x H)
RoHS	-	Yes

Mechanical Drawing



Electrical Response

