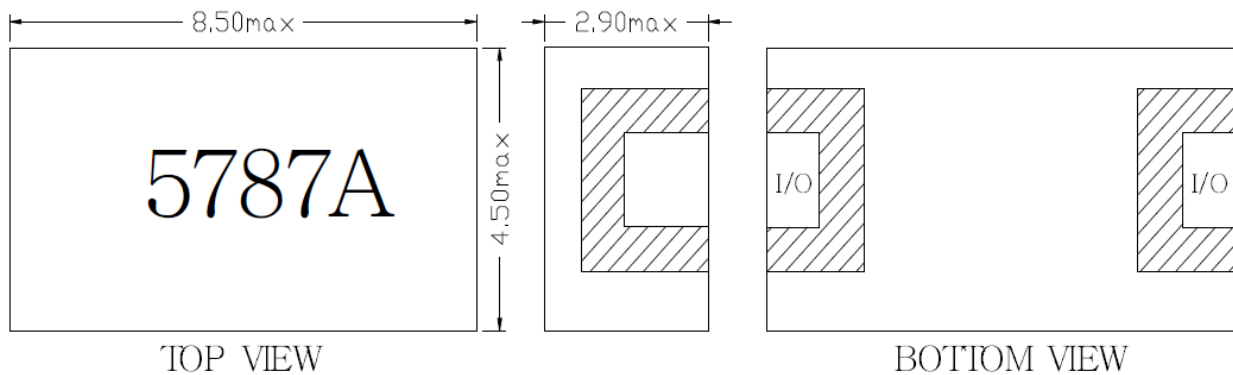


Electrical Specifications

No.	Parameter	Unit	Specification
1	Center Frequency	MHz	5787
2	Frequency Range	MHz	5725~5850
3	Insertion Loss in BW	dB	2.8 max
4	Ripple in BW	dB	1.0 max
5	Return Loss in BW	dB	10 min
6	Attenuation	dB	35 min @ 5350 MHz
			25 min @ 5475 MHz
7	Input Power	W	1W max
8	In / Out Impedance	Ohm	50
9	Operating Temp.	°C	-40 ~ +85
10	RoHS	-	Yes

Dimensions (unit: mm)



Tolerance : .X : ± 0.2
.XX : ± 0.15

Unit:mm