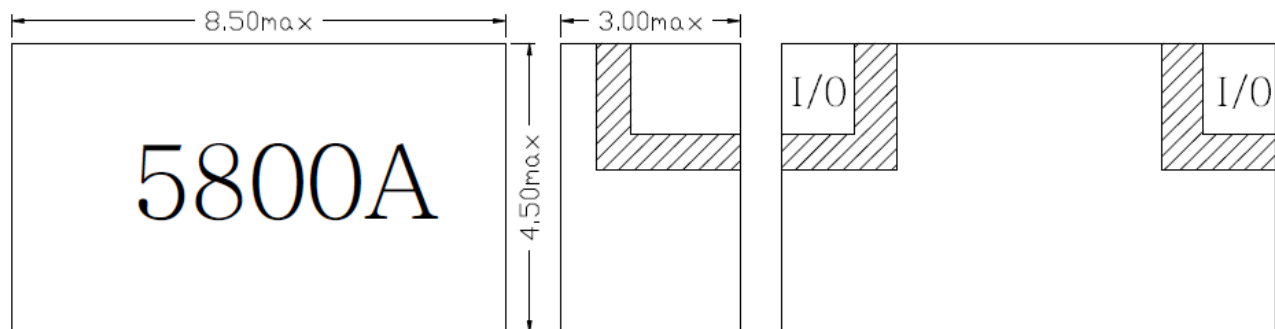


Electrical Specifications

No.	Parameter	Unit	Specification
1	Center Frequency	MHz	5800
2	Frequency Range	MHz	5700~5900
3	Insertion Loss in BW	dB	3.0 max
4	Ripple in BW	dB	1.0 max
5	Return Loss in BW	dB	10 min
6	Attenuation	dB	20 min @ 5350 MHz
			15 min @ 5425 MHz
			5 min @ 6175 MHz
7	Input Power	W	1W max
8	In / Out Impedance	Ohm	50
9	Operating Temp.	°C	-30 ~ +85
10	RoHS	-	Yes

Dimensions (unit: mm)



Tolerance Unless
Otherwise Specified : ± 0.15
Unit : mm