



Dielectric Filter Specification

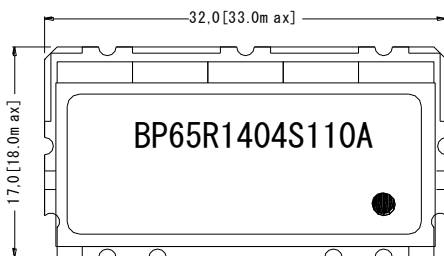
Part No: BPX1404-110A1
 12/8/04 12/8/04

Specification:

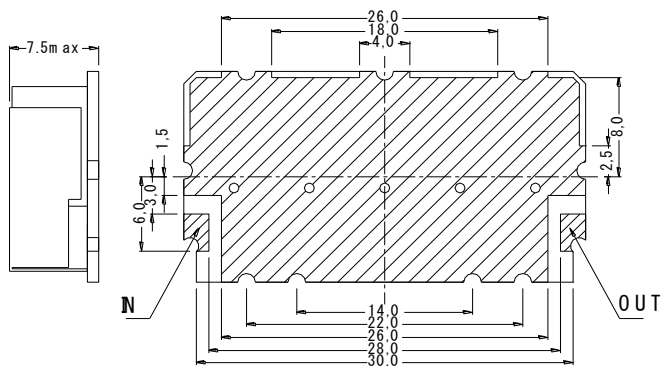
No.	Characteristics	Unit	Typical	Minimum	Maximum
1	Frequency Range	MHz	1404	1349	1459
2	Band Width	MHz			110
3	Insertion Loss in BW	dB			2.5
4	Ripple in BW	dB			0.5
5	V.S.W.R.				1.5
6	Group Delay	nsec			20.0
6	Input Power	Watts			1.0
7	Attenuation	@ 1200 MHz		40	
		@ 1600 MHz		40	
8	In/Out Impedance	Ohm	50		
9	Operation Temperature Range	°C	-35 ~ + 85		

Dimensions:

TOP VIEW



BOTTOM VIEW



Tolerance : .X ± 0.3
 .XX ± 0.15
 Dimension Unit : mm
 Copper area
 Inputport

