

## Thru-Hole Ceramic Filter

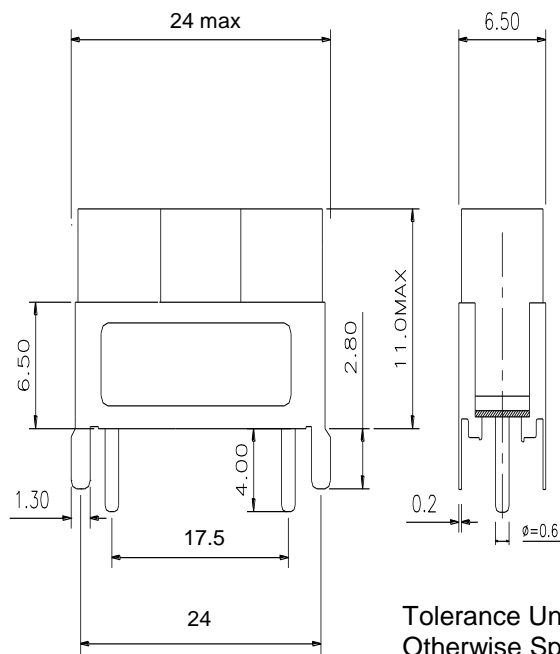
Part No: **BPX1894-38A1**

Date: **05/08/03**

### Specification

No.	Characteristics	Unit	Typical	Minimum	Maximum
1	Center Frequency (fo)	MHz	1894	1875	1913
2	Poles		5		
3	Bandwidth (BW)	MHz	38		
4	Insertion loss in BW	dB			4.5
5	Ripple in BW	dB			0.8
6	V.S.W.R.				2.0
8	Attenuation	1723 MHz		60	
		2060 MHz		60	

### Dimensions:



Tolerance Unless  
Otherwise Specified:  $\pm 0.3$

Unit: mm

Unit: mm