

Features

- Low Insertion Loss
- High Attenuation
- Compact Size
- Surface Mount

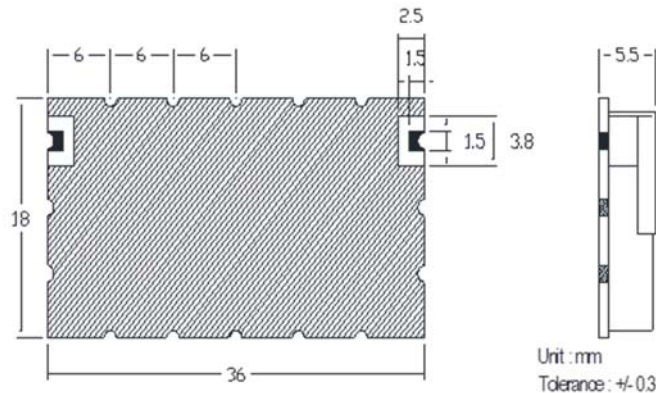
Descriptions

Surface mount ceramic bandpass filter developed for low harmonic L band applications.

Electrical Specifications

Parameter	Unit	Specification
Center Frequency	MHz	1925
Passband Frequency Range	MHz	1700 ~ 2150
Insertion Loss	dB	4.0 max
Ripple in Passband	dB	1.0 max
Return Loss (VSWR) in Passband	dB	2.0:1 max
Attenuation	dB	50 min @ 1200 MHz
		50 min @ 2800 MHz
		50 min @ 2600 ~ 5000 MHz
In/Out Impedance	Ohm	50
Input Power	W	1 max
Operating Temperature	°C	-40 ~ +85
Dimensions(Maximum)	mm	21 x 13.5 x 4.5 (L x W x H)

Mechanical Drawing



Simulation Data

