

### Features

- Low Insertion Loss
- High Attenuation
- Compact Size
- Surface Mount

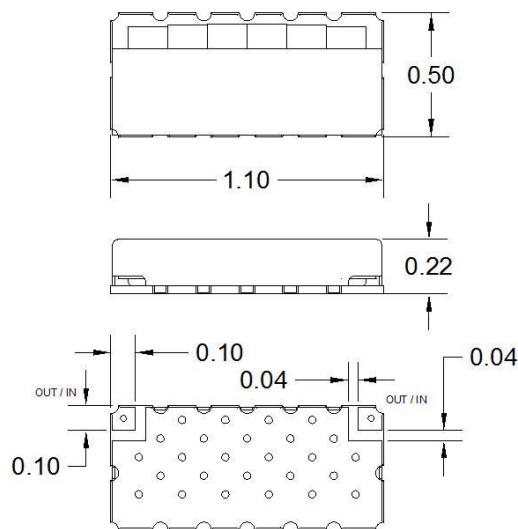
### Descriptions

Surface mount discrete resonator ceramic bandpass filter developed for S band applications.

### Electrical Specifications

Parameter	Unit	Specification
Center Frequency (Fc)	MHz	2350
Passband Frequency Range	MHz	2330 ~ 2370 min
Insertion Loss @ Fc	dB	3.5 max
Return Loss(VSWR) in Passband	dB	15 (1.43:1) min
Attenuation	dB	20 min @ 2300 MHz
		20 min @ 2400
		30 min @ 4700
Operating Input Power	Watts	2 CW max
IN/OUT Impedance	Ohm	50
Operating Temperature	°C	-40 ~ +85
Dimensions (+/-0.01)	Inch	1.10 x 0.50 x 0.22 (L x W x H)
RoHS	-	Yes

### Mechanical Drawing:



Dims: inches  
Tol: +/-0.01

Electrical Response:

